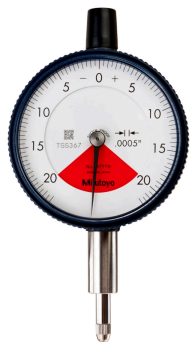


Dial Gauge, Flat Back, ANSI/AGD Type

Item number: 2977AB

Images



Description

One Revolution Type for Error-free Reading

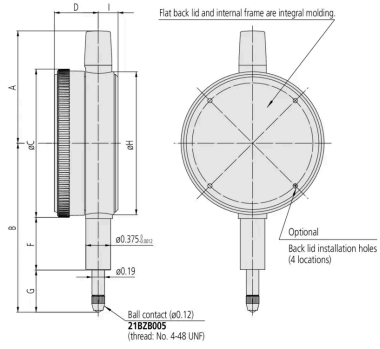
- Light weight type / standard type
- Limiting pointer rotation to one revolution eliminates the reading errors that can occur with dial indicators featuring more than one revolution of the pointer for full stroke.

Features

Digital/Analog:	Analog
Inch-Metric:	Inch
Delivered:	With certificate of inspection, bezel clamp
Range:	0,04 "
Range per rev.:	0.04"
Dial reading:	20-0-20
Graduation:	0.0005"
H MPE (Hysteresis):	0,00016"
R MPE (Repeatability):	±0,0001"
MPE first one revolution:	±0,0005"
Type:	ANSI/AGD Standard
Measuring force:	0,4-1,4 N
Mass:	75 g
Stem:	9.52 mm / 0.375"

Contact point:

Carbide tipped, thread: 4-48UNF

Dimensions**A:** 1.7 inch**B:** 2.56 inch**C:** 2.24 inch**D:** 0.67 inch**E:** 0,8 inch**F:** 0.64 inch**G:** 2.17 inch**H:** 0.3 inch**I:** 0.3 inch**Accessories****Optional accessories:****Limit Hands (green) 2pcs**

Dial Indicator Series 2/3/4

Art No. 21AZB195

Price on application**Spare parts****Consumable spares:****Contact Element Ball Point, 4-48UNF**

1/4" Length, Carbide, Inch

Art No. 21BZB005

Suggested retail price: 15.00 €*
