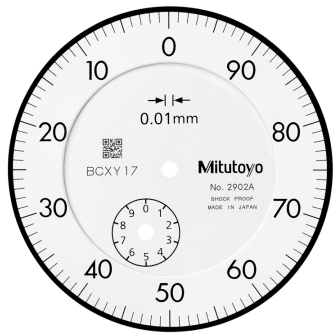
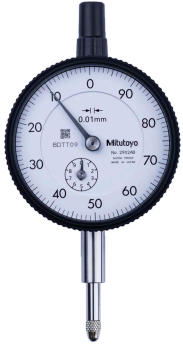


## Dial Gauge, Lug Back, ISO Type

Item number: 2902A

### Images



### Description

#### Standard Type, 10 mm Range, 0.01 mm Graduation

This is a standard dial indicator. It offers you the following benefits:

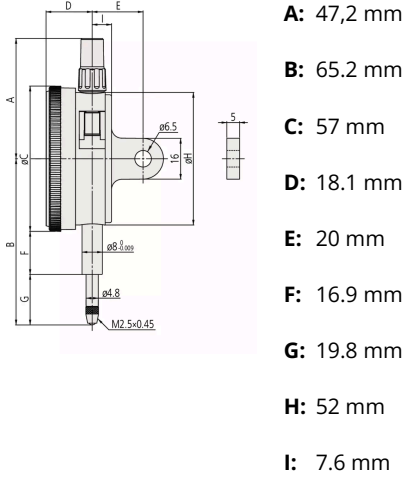
- Bezel clamp and lifting lever (optional) can be attached to either right or left side. They can be easily installed and removed without tools.
- No through screw holes on the frame as well as the use of an O-ring prevents water or oil penetration.

### Features

<b>Digital/Analog:</b>	Analog
<b>Inch-Metric:</b>	Metric
<b>Type:</b>	EN ISO Standard
<b>Delivered:</b>	With certificate of inspection
<b>Range:</b>	10 mm
<b>Range per rev.:</b>	1 mm

<b>Dial reading:</b>	100-0
<b>Graduation:</b>	0.01 mm
<b>MPE any 1/10 revolution:</b>	5 µm
<b>MPE any 1/2 revolution:</b>	9 µm
<b>MPE any 1 revolution:</b>	10 µm
<b>MPE measuring range:</b>	13 µm
<b>H MPE (Hysteresis):</b>	3 µm
<b>R MPE (Repeatability):</b>	3 µm
<b>Measuring force:</b>	0,4-1,4 N
<b>Mass:</b>	144 g
<b>Stem:</b>	8 mm
<b>Contact point:</b>	Carbide tipped, thread: M 2.5 x 0.45 mm
<b>Continuous dial:</b>	Yes
<b>Reverse reading:</b>	Yes 3


**Dimensions**



**A:** 47,2 mm  
**B:** 65.2 mm  
**C:** 57 mm  
**D:** 18.1 mm  
**E:** 20 mm  
**F:** 16.9 mm  
**G:** 19.8 mm  
**H:** 52 mm  
**I:** 7.6 mm

**Accessories**

Optional accessories:



**Limit Hands (green) 2pcs**  
 Dial Indicator Series 2/3/4  
 Art No. 21AZB195  
 Price on application



## Bezel Clamp for Dial Gauge

Metric, Series 2/3/4

Art No. 21AZB148

[Price on application](#)

## Spindle Lifting Lever

for Digital Indicator, A-Type Dial Indicator  
Serie 2/3/4

Art No. 21EZA198

[Price on application](#)



## Spindle Lifting Cable

for Indicator, L=500mm

Art No. 21JZA295

[Price on application](#)



## Spindle Lifting Cable with Auto Stop

for Indicator, L=300mm

Art No. 21JZA301

[Price on application](#)



## Spare parts

Consumable spares:



**Contact Element Ball Point,  
M2,5x0,45**

7,3mm Length, Carbide, Metric

Art No. 901312

Suggested retail price: 14.00 €\*  

---