

Dial Gauge, Flat Back, ISO Type

Item number: 2900AB-10

Images



Description

Graduation 0.001 mm

This is a one revolution dial indicator. It offers you the following benefits:

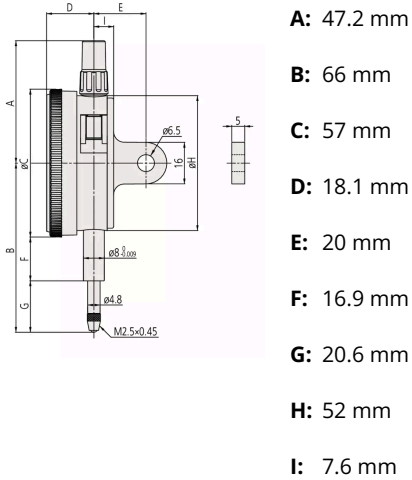
- Bezel clamp and lifting lever (optional) can be attached to either right or left side.
- No through screw holes on the frame as well as the use of an O-ring prevents water or oil penetration.
- It eliminates the possibility of reading errors due to miscounting multiple revolutions.

Features

Digital/Analog:	Analog
Inch-Metric:	Metric
Type:	EN ISO Standard
Delivered:	With certificate of inspection
Range:	0.08 mm
Plunger Stroke:	4 mm
Range per rev.:	0,1 mm
Dial reading:	40-0-40
Graduation:	0.001 mm
MPE any 1/10 revolution:	2 μ m
MPE measuring range:	3 μ m
H MPE (Hysteresis):	2 μ m

R MPE (Repeatability):	1 µm
Measuring force:	0,4-1,4 N
Mass:	140 g
Stem:	8 mm
Contact point:	Carbide tipped, thread: M 2.5 x 0.45 mm
One revolution:	Yes
Shockproof:	Yes

Dimensions



Accessories

Optional accessories:



Limit Hands (green) 2pcs

Dial Indicator Series 2/3/4
 Art No. 21AZB195
 Price on application



Bezel Clamp for Dial Gauge

Metric, Series 2/3/4
 Art No. 21AZB148
 Price on application



Spindle Lifting Lever

for Digital Indicator, A-Type Dial Indicator
Serie 2/3/4

Art No. 21EZA198

[Price on application](#)

Spindle Lifting Cable

for Indicator, L=500mm

Art No. 21JZA295

[Price on application](#)



Spindle Lifting Cable with Auto Stop

for Indicator, L=300mm

Art No. 21JZA301

[Price on application](#)



Spare parts

Consumable spares:



Contact Element Ball Point, M2,5x0,45

7,3mm Length, Carbide, Metric

Art No. 901312

Suggested retail price: 14.00 €*