

## Absolute Digital Disc Mic., Adj. Force

Item number: 227-223-20

### Images



**ABSOLUTE®**  
**IP 65**

### Description

The ABSOLUTE Digimatic Disc Micrometer Quickmike allows you to measure with a fast spindle feed of 10 mm per thimble rotation.

It offers you the following benefits:

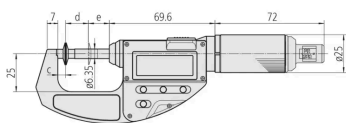
- Suitable for measuring felt, rubber, cardboard, fabric etc.
- Suitable to measure "root tangent length" of spur gears and helical gears.
- With a non-rotating spindle and disc-shaped measuring surface.
- Measuring force is adjustable for various kinds of workpieces (series 227)

### Features

<b>Model:</b>	CLM2-10DKX
<b>Digital/Analog:</b>	Digital
<b>Delivered:</b>	Including box, screwdriver, 1 SR44 battery
<b>Inch-Metric:</b>	Metric
<b>Range:</b>	0 - 10 mm
<b>Digital step:</b>	0,001 mm
<b>Max. Permissible Error J MPE:</b>	±4 µm
<b>Flatness:</b>	1 µm
<b>Parallelism:</b>	3 µm
<b>Display:</b>	LCD, character height 10 mm
<b>Measuring face:</b>	Hardened steel, micro-lap finish
<b>Measuring spindle:</b>	ø6,35 mm, non-rotating, spindle feed 10 mm

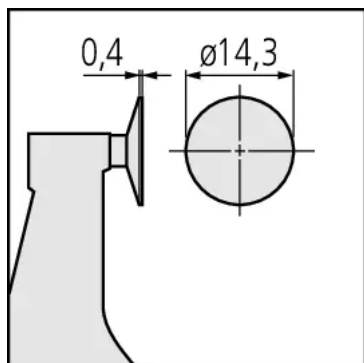
<b>Measuring force settings:</b>	2 / 4 / 6 / 8 / 10 N
<b>Measuring force accuracy <sup>(1)</sup>:</b>	$\pm 0.4 + (\text{force setting}/10)$ N
<b>Power supply:</b>	1 battery SR-44
<b>Battery life:</b>	Approx. 5 years
<b>Measurable module:</b>	0.4-3 mm
<b>ON/OFF:</b>	Yes
<b>ORIGIN:</b>	Yes
<b>ABS / INC (INC ZERO):</b>	Yes
<b>Low voltage alarm:</b>	Yes
<b>HOLD:</b>	Yes
<b>Mass:</b>	340 g

## Dimensions



**c:** 5.2 mm

**d:** 10 mm



**c:** 5.2 mm

**d:** 10 mm

## Accessories

Optional accessories:



### Micrometer Stand, 45° Angle Type

for Micrometer 0-50mm/0-2"

Art No. 156-105-10

Suggested retail price: 58.00 €\*

Promotion!



## Micrometer Stand, Adjustable Angle Type

for Micrometer 0-100mm/0-4"

Art No. 156-101-10

Promo price: **55.90 €\***

Suggested retail price: ~~70.00 €\*~~

Promotion!



## Connection Cable B for U-WAVE

with Data Button for IP Micrometer Type

Art No. 02AZD790B

Promo price: **72.90 €\***

Suggested retail price: ~~110.00 €\*~~

Promotion!



## USB Input Tool Direct (Digimatic to USB)

2m Cable, Digimatic/Digimatic 2, with Data Button IP Micrometer Type

Art No. 06AFM380B

Promo price: **109.00 €\***

Suggested retail price: ~~141.00 €\*~~



## Digimatic Cable with Data Button IP Type

1m, Micrometer Type

Art No. 05CZA662

Suggested retail price: **105.00 €\***



## Digimatic Cable with Data Button IP Type

2m, Micrometer Type

Art No. 05CZA663

Suggested retail price: **107.00 €\***

Promotion!



### U-WAVE-T, IP67 Type

Wireless Transmitter

Art No. 02AZD730G

Promo price: **129.00 €\***

Suggested retail price: ~~187.00 €\*~~

Promotion!



### U-WAVE-T, Buzzer Type

Wireless Transmitter

Art No. 02AZD880G

Promo price: **129.00 €\***

Suggested retail price: ~~187.00 €\*~~

#### Standard accessories:



### Micrometer Setting Standard

Length: 25mm

Art No. 167-101

Suggested retail price: **33.00 €\***

#### Spare parts

#### Consumable spares:



### Battery SR44 1,5 V

Art No. 938882

Suggested retail price: **10.00 €\***

