

Absolute Digital Disc Mic., Adj. Force

Item number: 227-221-20

Images



Description

The ABSOLUTE Digimatic Disc Micrometer Quickmike allows you to measure with a fast spindle feed of 10 mm per thimble rotation.

It offers you the following benefits:

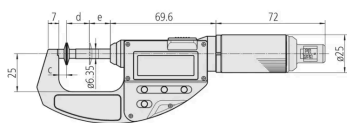
- Suitable for measuring felt, rubber, cardboard, fabric etc.
- Suitable to measure "root tangent length" of spur gears and helical gears.
- With a non-rotating spindle and disc-shaped measuring surface.
- Measuring force is adjustable for various kinds of workpieces (series 227)

Features

Model:	CLM1-15DKX
Digital/Analog:	Digital
Delivered:	Including box, screwdriver, 1 SR44 battery
Inch-Metric:	Metric
Range:	0 - 15 mm
Digital step:	0,001 mm
Max. Permissible Error J MPE:	±4 µm
Flatness:	1 µm
Parallelism:	3 µm
Display:	LCD, character height 10 mm
Measuring face:	Hardened steel, micro-lap finish
Measuring spindle:	ø6,35 mm, non-rotating, spindle feed 10 mm

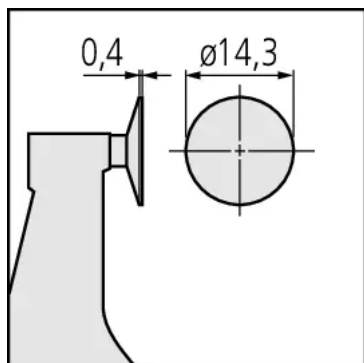
Measuring force settings:	0.5 / 1 / 1.5 / 2 / 2.5 N
Measuring force accuracy ⁽¹⁾:	$\pm 0.1 + (\text{force setting}/10)$ N
Power supply:	1 battery SR-44
Battery life:	Approx. 5 years
Measurable module:	0.4-3 mm
ON/OFF:	Yes
ORIGIN:	Yes
ABS / INC (INC ZERO):	Yes
Low voltage alarm:	Yes
HOLD:	Yes
Mass:	300 g

Dimensions



c: 5.2 mm

d: 15 mm



c: 5.2 mm

d: 15 mm

Accessories

Optional accessories:



Micrometer Stand, 45° Angle Type

for Micrometer 0-50mm/0-2"

Art No. 156-105-10

Suggested retail price: 58.00 €*

Promotion!



Micrometer Stand, Adjustable Angle Type

for Micrometer 0-100mm/0-4"

Art No. 156-101-10

Promo price: **55.90 €***

Suggested retail price: ~~70.00 €*~~

Promotion!



Connection Cable B for U-WAVE

with Data Button for IP Micrometer Type

Art No. 02AZD790B

Promo price: **72.90 €***

Suggested retail price: ~~110.00 €*~~

Promotion!



USB Input Tool Direct (Digimatic to USB)

2m Cable, Digimatic/Digimatic 2, with Data Button IP Micrometer Type

Art No. 06AFM380B

Promo price: **109.00 €***

Suggested retail price: ~~141.00 €*~~



Digimatic Cable with Data Button IP Type

1m, Micrometer Type

Art No. 05CZA662

Suggested retail price: **105.00 €***



Digimatic Cable with Data Button IP Type

2m, Micrometer Type

Art No. 05CZA663

Suggested retail price: **107.00 €***

Promotion!



U-WAVE-T, IP67 Type

Wireless Transmitter

Art No. 02AZD730G

Promo price: **129.00 €***

Suggested retail price: ~~187.00 €*~~

Promotion!



U-WAVE-T, Buzzer Type

Wireless Transmitter

Art No. 02AZD880G

Promo price: **129.00 €***

Suggested retail price: ~~187.00 €*~~

Spare parts

Consumable spares:



Battery SR44 1,5 V

Art No. 938882

Suggested retail price: 10.00 €*