

Gauge Stand with Granite Base

Item number: 215-153-10

Images



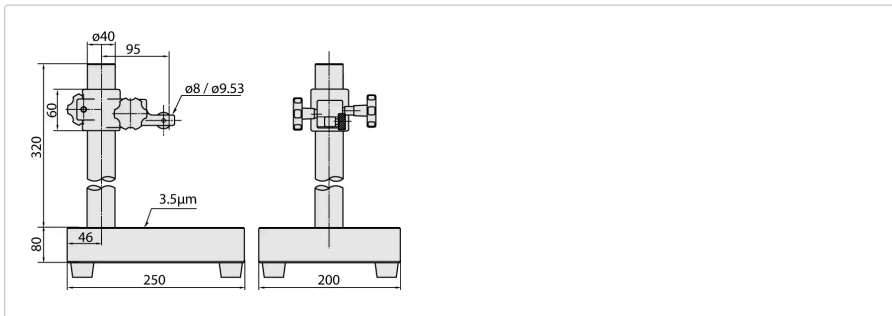
Description

Mitutoyo Granite Comparator Stand.

Features

| | |
|--|---|
| Column Ø: | 40 mm |
| Max. measurement height: | 250 mm |
| Fine adjustment: | 1 mm |
| Stem hole ø: | ø 3/8" / 9.53 mm , 8 mm with bush (standard accessory) |
| Table flatness: | 3.5 µm |
| Perpendicularity table-stem hole: | 0.2/100 mm/mm |
| Delivered: | With stem bush 9,53 mm (3/8") to 8 mm |
| Mass: | 16 kg |

Dimensions



Accessories

Standard accessories:



Stem Bush for Gauge Stand

9,53mm to 8mm

Art No. 21JAA316

Suggested retail price: 37.30 €*
