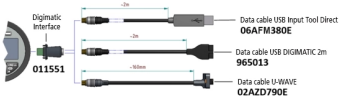
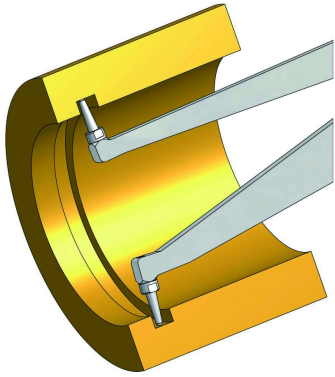


Internal Digital Caliper Gauge

Item number: 209-949

Images



Description

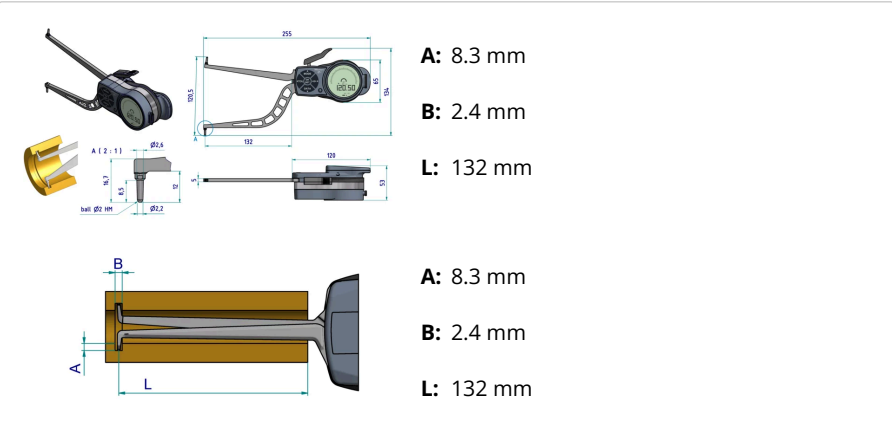
- Digital Caliper Gauge enables measurements in hard-to-reach places
- Excellent resistance against water and dust IP67 level

Features

Digital/Analog:	Digital
Functions:	Measuring contacts: carbide ball \varnothing 2 mm
Delivered:	Including 2 batteries LR3, certificate of inspection
Range:	90 - 120 mm
Type:	Fig. 3

Digital step:	0,001 / 0,002 / 0,005 / 0,01 / 0,02 / 0,05 mm
Protection:	IP67
Measuring force:	1,2-1,7 N
Mass:	380 g
Power supply:	2 batteries LR3 (AAA)
ABS/INC switchable:	Yes
Auto Power OFF after 1/5/10 min. non use:	YES
OFFSET:	Yes
mm/inch conversion:	Yes
HOLD:	Yes
SET key:	Yes
DATA key:	Yes
DATA-Logger (100 measured values):	Yes
Max. reading:	Yes
Min. reading:	Yes
Tolerance LED (green/red):	Yes
Tolerance judgement:	Yes



Dimensions



Accessories

Optional accessories:

Promotion!

the standard in world metrology software
MeasurLink

USB-ITPAK Vers. 3.0

USB Dongle + Manual (Software available Online)

Art No. 06AGR543

Promo price: 259.00 €*

Suggested retail price: ~~340.00 €*~~

USB-ITPAK

Spare parts

Consumable spares:



Battery LR03 (AAA)

4x

Art No. 011511-1

Price on application