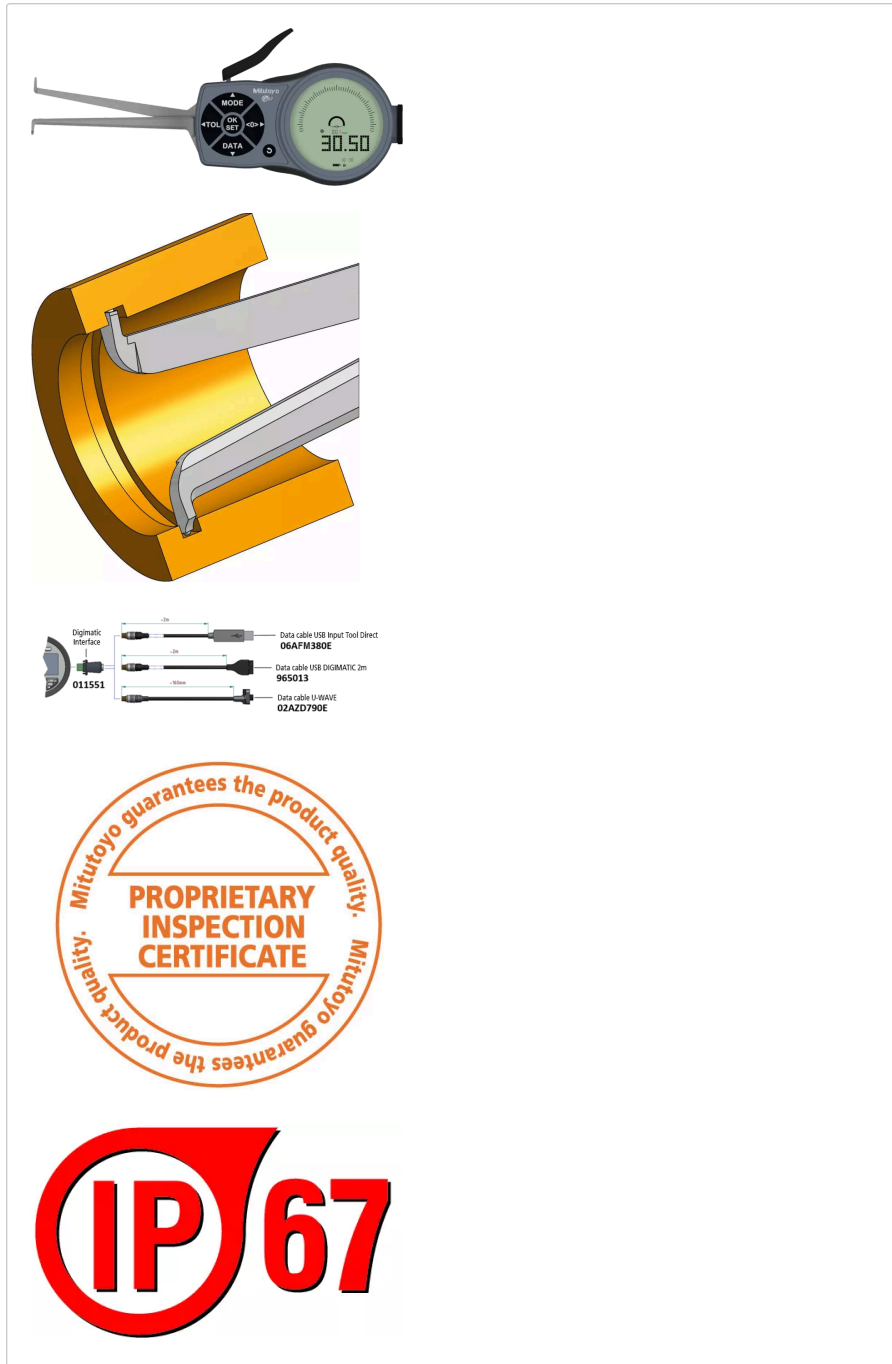


Internal Digital Caliper Gauge

Item number: 209-936

Images



Description

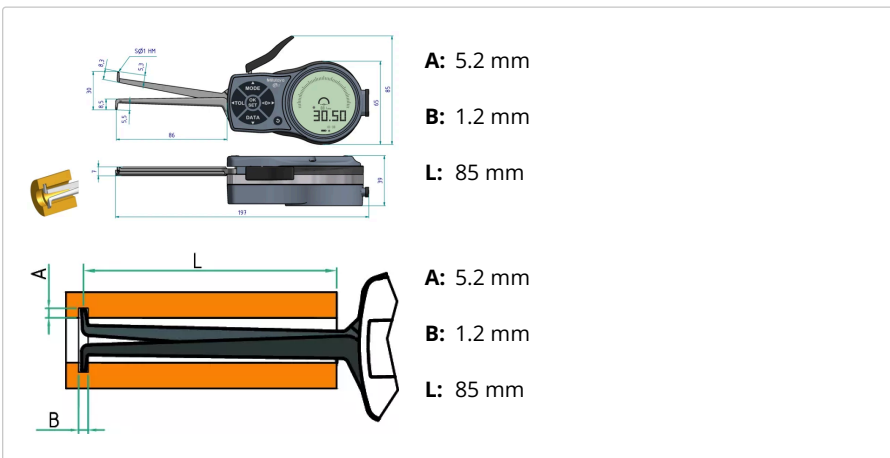
- Digital Caliper Gauge enables measurements in hard-to-reach places
- Excellent resistance against water and dust IP67 level

Features

Digital/Analog:	Digital
Functions:	Measuring contacts: carbide ball \varnothing 1 mm
Delivered:	Including 2 batteries LR3, certificate of inspection
Range:	10 - 30 mm
Type:	Fig. 4
Digital step:	0,001 / 0,002 / 0,005 / 0,01 / 0,02 / 0,05 mm

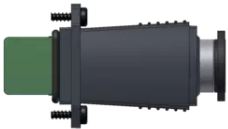
Protection:	IP67
Measuring force:	1,1-1,6 N
Mass:	270 g
Power supply:	2 batteries LR3 (AAA)
ABS/INC switchable:	Yes
Auto Power OFF after 1/5/10 min. non use:	YES
OFFSET:	Yes
mm/inch conversion:	Yes
HOLD:	Yes
SET key:	Yes
DATA key:	Yes
DATA-Logger (100 measured values):	Yes
Max. reading:	Yes
Min. reading:	Yes
Tolerance LED (green/red):	Yes
Tolerance judgement:	Yes

Dimensions



Accessories

Optional accessories:



Digimatic Interface Series 209

Digital Caliper Gauge
Art No. 011551
Suggested retail price: 90.00 €*

Promotion!

Mitutoyo

MiCAT

the standard in world
metrology software
MeasurLink®

USB-ITPAK Vers. 3.0

USB Dongle + Manual (Software available
Online)

Art No. 06AGR543

Promo price: **259.00 €***

Suggested retail price: ~~340.00 €*~~

USB-ITPAK



Digimatic Cable, Round 6-Pin Type

1m

Art No. 937387

Suggested retail price: **60.00 €***



Digimatic Cable, Round 6-Pin Type

2m

Art No. 965013

Suggested retail price: **72.00 €***

Promotion!



USB Input Tool Direct (Digimatic to USB)

2m Cable, Digimatic/Digimatic 2, Round 6-
Pin Type

Art No. 06AFM380E

Promo price: **98.90 €***

Suggested retail price: ~~124.00 €*~~

Promotion!



U-WAVE-T, IP67 Type

Wireless Transmitter

Art No. 02AZD730G

Promo price: **129.00 €***

Suggested retail price: ~~187.00 €*~~

Promotion!



U-WAVE-T, Buzzer Type

Wireless Transmitter

Art No. 02AZD880G

Promo price: **129.00 €***

Suggested retail price: ~~187.00 €*~~

Promotion!



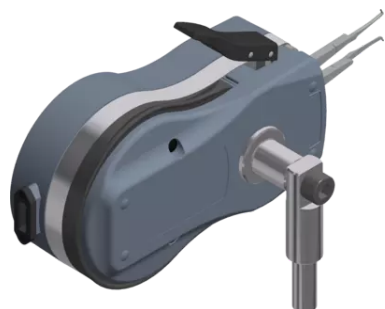
Connection Cable E for U-WAVE

Round 6-Pin Type

Art No. 02AZD790E

Promo price: **63.90 €***

Suggested retail price: ~~98.00 €*~~



Holder for Digital Caliper Gauge

for 209-930 up to 209-958

Art No. 63AAA438

Suggested retail price: ~~189.00 €*~~

Spare parts

Consumable spares:



Battery LR03 (AAA)

4x

Art No. 011511-1

Price on application