

Internal Digital Caliper Gauge

Item number: 209-929

Images



Description

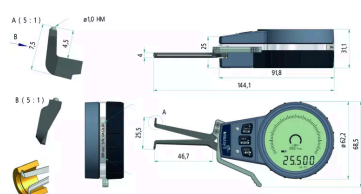
A Mitutoyo internal digital caliper gauge designed for use as a comparator, to be set up using a setting ring or micrometer. The caliper is spring loaded and makes point contact at constant measuring force.

Features

Inch-Metric:	Metric/Inch
Graduation:	0.001 mm
Delivered:	In a paper box, including certificate of inspection and wireless charging station

Range:	10 - 25 mm
Resolution:	0,001 / 0,002 / 0,005 / 0,010 mm
Protection:	IP 67
Measuring force:	0,8-1,3 N
Mass:	160 g
Power supply:	Lithium-Polymer power pack
ABS/INC switchable:	Yes
Auto Power OFF after 1/5/10 min. non use:	YES
Analog bar resolution switchable:	Yes
OFFSET:	Yes
Type:	Fig. 3
mm/inch conversion:	Yes
HOLD:	Yes
SET key:	Yes
DATA key:	Yes
DATA-Logger (100 measured values):	Yes
Max. reading:	Yes
Min. reading:	Yes
Tolerance LED (green/red):	Yes
Tolerance judgement:	Yes

Dimensions



A: 4 mm

B: 1.5 mm

L: 46 mm

Accessories

Optional accessories:

Promotion!





the standard in world
metrology software



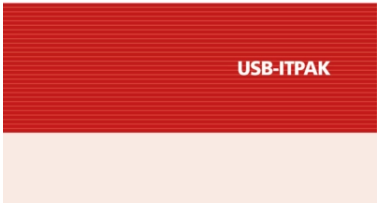
USB-ITPAK Vers. 3.0

USB Dongle + Manual (Software available
Online)

Art No. 06AGR543

Promo price: 259.00 €*

Suggested retail price: ~~340.00 €*~~





Digimatic Interface Adapter, Series 209

Art No. 63AAA158

Suggested retail price: 218.00 €*



Digimatic Cable, Round 6-Pin Type

1m

Art No. 937387

Suggested retail price: 60.00 €*



Digimatic Cable, Round 6-Pin Type

2m

Art No. 965013

Suggested retail price: 72.00 €*

Promotion!



USB Input Tool Direct (Digimatic to USB)

2m Cable, Digimatic/Digimatic 2, Round 6-Pin Type

Art No. 06AFM380E

Promo price: 98.90 €*

Suggested retail price: 124.00 €*

Promotion!



U-WAVE-T, Buzzer Type

Wireless Transmitter

Art No. 02AZD880G

Promo price: 129.00 €*

Suggested retail price: 187.00 €*

Promotion!



U-WAVE-T, IP67 Type

Wireless Transmitter

Art No. 02AZD730G

Promo price: **129.00 €***

Suggested retail price: ~~187.00 €*~~

Promotion!



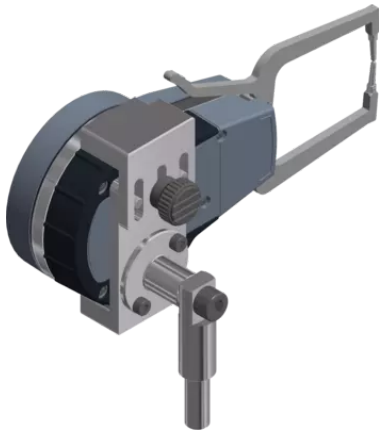
Connection Cable E for U-WAVE

Round 6-Pin Type

Art No. 02AZD790E

Promo price: **63.90 €***

Suggested retail price: ~~98.00 €*~~



Holder for Digital Caliper Gauge

for 209-925 up to 209-929

Art No. 63AAA439

Suggested retail price: ~~197.00 €*~~