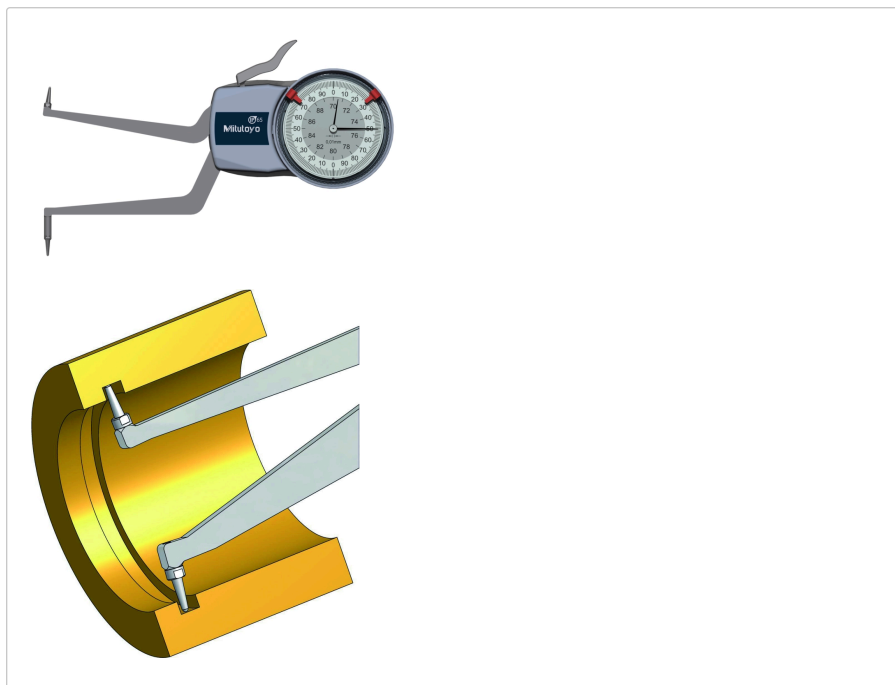


Internal Dial Caliper Gauge

Item number: 209-308

Images



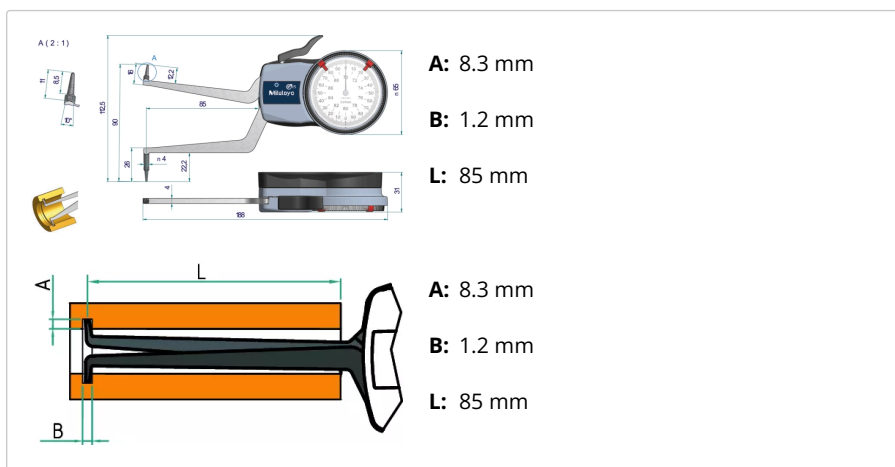
Description

A Mitutoyo internal dial caliper gauge designed for use as a comparator, to be set up using a setting ring or micrometer. The caliper is spring loaded and makes point contact at constant measuring force.

Features

Inch-Metric:	Metric
Delivered:	In a paper box with certificate of inspection
Range:	70 - 90 mm
Type:	Fig. 3
Graduation:	0.01 mm
Measuring force:	1,1-1,6 N
Mass:	200 g

Dimensions



Accessories

Optional accessories:



Holder for Digital Caliper Gauge

for 209-300 up to 209-457 except: 209-310, -311, -312, -361, -362, -363

Art No. 011530

Suggested retail price: **181.00 €***