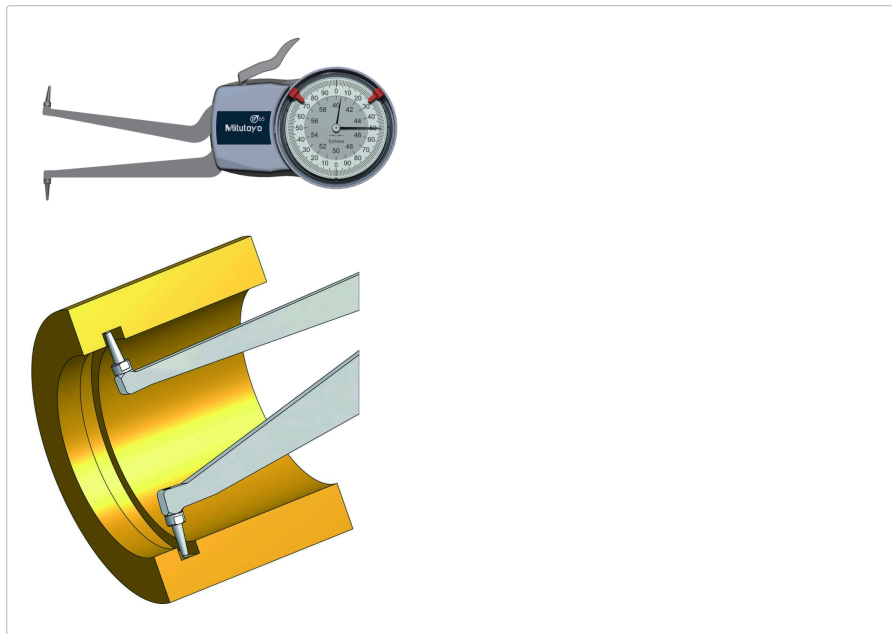


## Internal Dial Caliper Gauge

Item number: 209-305

### Images



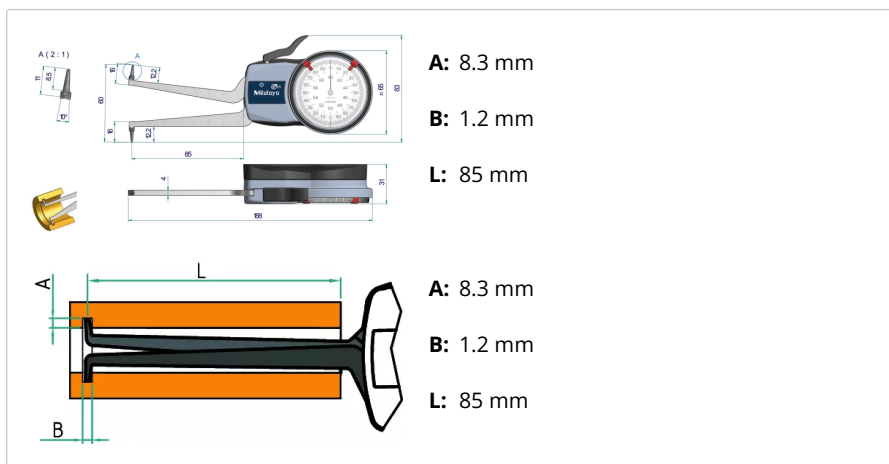
### Description

A Mitutoyo internal dial caliper gauge designed for use as a comparator, to be set up using a setting ring or micrometer. The caliper is spring loaded and makes point contact at constant measuring force.

### Features

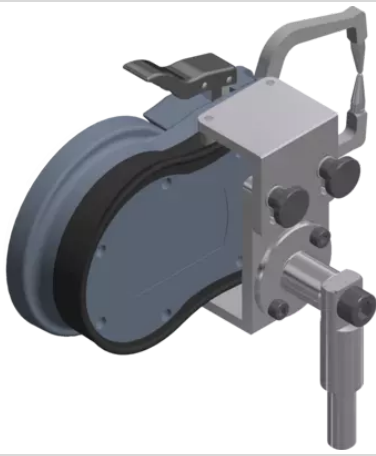
<b>Inch-Metric:</b>	Metric
<b>Delivered:</b>	In a paper box with certificate of inspection
<b>Range:</b>	40 - 60 mm
<b>Type:</b>	Fig. 3
<b>Graduation:</b>	0.01 mm
<b>Measuring force:</b>	1,1-1,6 N
<b>Mass:</b>	195 g

### Dimensions



### Accessories

Optional accessories:



## Holder for Digital Caliper Gauge

for 209-300 up to 209-457 except: 209-310, -311, -312, -361, -362, -363

Art No. 011530

Suggested retail price: **181.00 €\***