

Digital Height Gauge Double Column

Item number: 192-615-10

Images



Description

This High Accuracy Height Gauge offers you the following benefits:

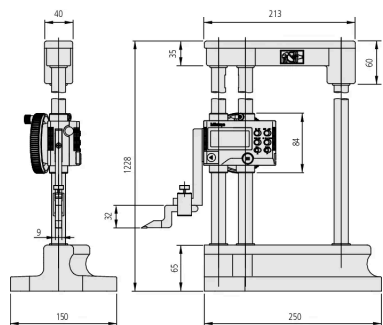
- Its double-column structure ensures high measuring accuracy.
- Carbide-tipped scriber provided
- Large character height of 11 mm provides good readability.

Features

Model:	HD-100AX
Digital/Analog:	Digital
Range:	0 - 1,000 mm
Digital step:	0,01/0,005 mm
Delivered:	Including carbide tipped scriber, scriber clamp and SR44 battery
Max. Permissible Error E MPE:	$\pm 0,07$ mm
Max. Permissible Error J MPE:	$\pm 0,07$ mm
Display:	LCD, Character Height: 11 mm
Max. response speed:	500 mm/s
ON/OFF:	Yes
ABS / INC (INC ZERO):	Yes
PRESET (2 values):	Yes
DATA (output with cable) / HOLD (display value):	Yes
Low voltage alarm:	Yes

±SWITCHING:	Yes
Inch-Metric:	Metric
Power supply:	1 battery SR-44
Battery life:	approx. 3500 hours
Mass:	15.7 kg

Dimensions



Accessories

Optional accessories:

Promotion!

Mitutoyo

MiCAT
the standard in world
metrology software
MeasurLink

USB-ITPAK Vers. 3.0

USB Dongle + Manual (Software available Online)

Art No. 06AGR543

Promo price: 268.00 €*

Suggested retail price: ~~340.00 €*~~

USB-ITPAK



Digimatic Cable, Flat Straight Type

1 m
Art No. 905338
Suggested retail price: 37.00 €*



Digimatic Cable, Flat Straight Type

2 m
Art No. 905409
Suggested retail price: 44.00 €*

Promotion!



USB Input Tool Direct (Digimatic to USB)

2m Cable, Digimatic/Digimatic 2, Flat
Straight Type
Art No. 06AFM380F

Promo price: **98.00 €***

Suggested retail price: ~~124.00 €*~~

Promotion!



U-WAVE-T, Buzzer Type

Wireless Transmitter
Art No. 02AZD880G

Promo price: **129.00 €***

Suggested retail price: ~~187.00 €*~~

Promotion!



U-WAVE-T, IP67 Type

Wireless Transmitter
Art No. 02AZD730G

Promo price: **129.00 €***

Suggested retail price: ~~187.00 €*~~

Promotion!



Connection Cable F for U- WAVE

Straight, without Data Button
Art No. 02AZD790F

Promo price: **68.00 €***

Suggested retail price: ~~98.00 €*~~



Holding Bar for Swivel Clamp

9x9mm, 50mm Length
Art No. 953638

Suggested retail price: **24.00 €***

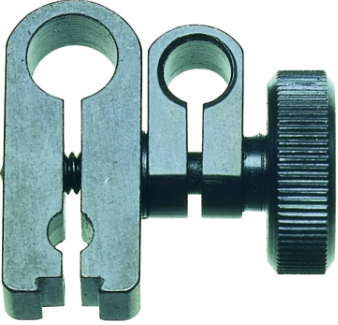
Holding Bar for Swivel Clamp

9x9mm, 100mm Length
Art No. 900209
Suggested retail price: 17.30 €*



Swivel Clamp

for D= 4/8mm, Dovetail
Art No. 900321
Suggested retail price: 26.50 €*



Center Master

for 9x9mm
Art No. 951144
Suggested retail price: 183.00 €*



Depth Gauge Attachment

for 9x9 mm
Art No. 900764
Suggested retail price: 59.00 €*



Standard accessories:



Scriber Clamp

for 9x9mm Scriber

Art No. 05GZA033

Suggested retail price: 58.00 €*



Carbide Tipped Scriber

9x9mm, 80mm Length

Art No. 07GZA000

Suggested retail price: 69.00 €*



Vinyl Cover Series 192

1000mm

Art No. 450290

Suggested retail price: 27.80 €*

Spare parts

Consumable spares:



Battery SR44 1,5 V

Art No. 938882

Suggested retail price: 7.00 €*