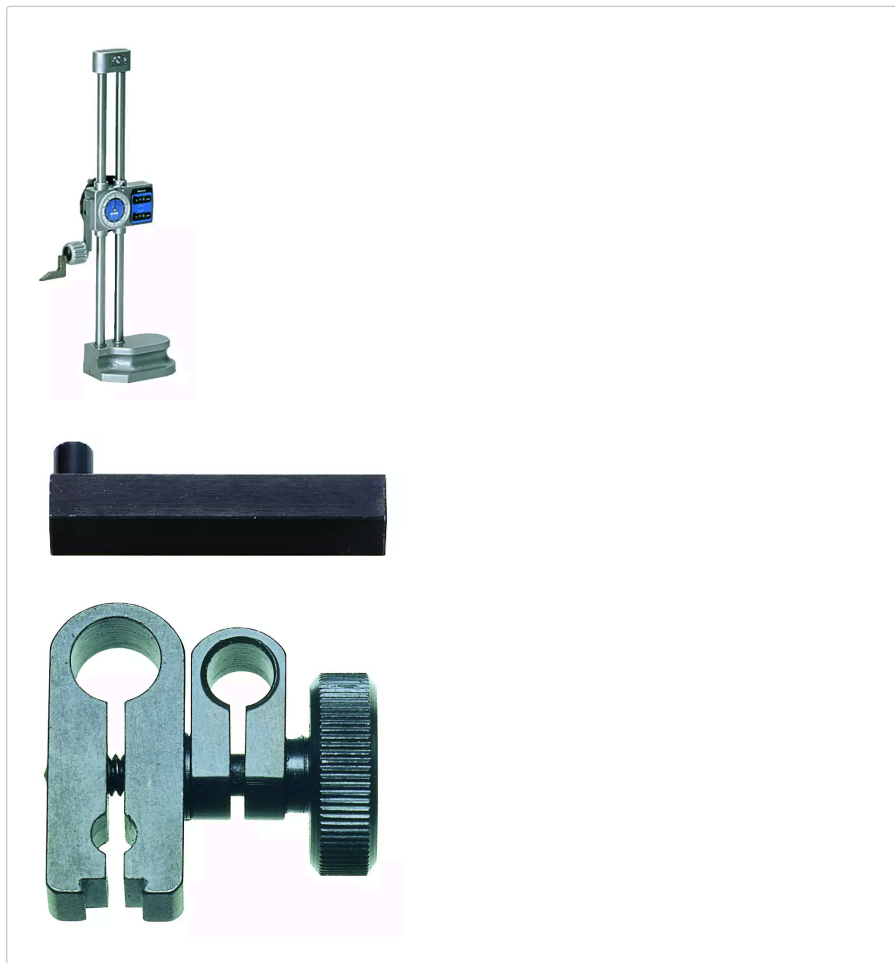


Dial Height Gauge, Digital Counter

Item number: 192-131

Images



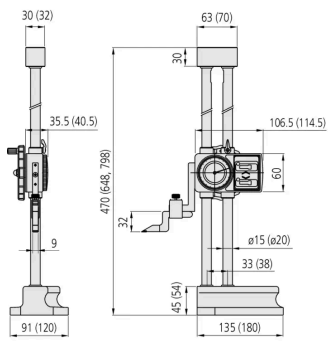
Description

A Mitutoyo dial/mechanical-digit-counter height gauge, twin column design. Two separate counters provide independently settable up/down measurement capability, with the dial gauge indicating the last decimal fractions.

Features

Digital/Analog:	Analog
Range:	0 - 450 mm
Digital step:	0,01 mm
Graduation:	0,01 mm
Delivered:	Including carbide tipped scriber and scriber clamp
Max. Permissible Error E MPE:	$\pm 0,05$ mm
Max. Permissible Error J MPE:	$\pm 0,05$ mm
Inch-Metric:	Metric
Mass:	9.2 kg

Dimensions



0-300 mm/ 0-12" (); 0-450 mm/ 0-600 mm/ 0-18" / 0-24"

Accessories

Optional accessories:



Swivel Clamp

for Ø6/8mm, Dovetail

Art No. 902053

Suggested retail price: 26.50 €*

Promotion!

Mitutoyo

MiCAT

the standard in world
metrology software
MeasurLink®

USB-ITPAK Vers. 3.0

USB Dongle + Manual (Software available
Online)

Art No. 06AGR543

Promo price: **268.00 €***

Suggested retail price: ~~340.00 €*~~

USB-ITPAK

Center Master

for 9x9mm

Art No. 951144

Suggested retail price: 183.00 €*



Depth Gauge Attachment

for 9x9 mm

Art No. 900764

Suggested retail price: 59.00 €*





Contact Sensor

for Height Gauges

Art No. 900872

Suggested retail price: 135.00 €*

Holding Bar for Swivel Clamp

9x9mm, 50mm Length

Art No. 953638

Suggested retail price: 24.00 €*



Holding Bar for Swivel Clamp

9x9mm, 100mm Length

Art No. 900209

Suggested retail price: 17.30 €*



Standard accessories:



Vinyl Cover Series 192

600mm

Art No. 450292

Suggested retail price: 5.80 €*



Scriber Clamp

for 9x9mm Scriber
Art No. 05GZA033
Suggested retail price: 58.00 €*



Carbide Tipped Scriber

9x9mm, 80mm Length
Art No. 07GZA000
Suggested retail price: 69.00 €*
