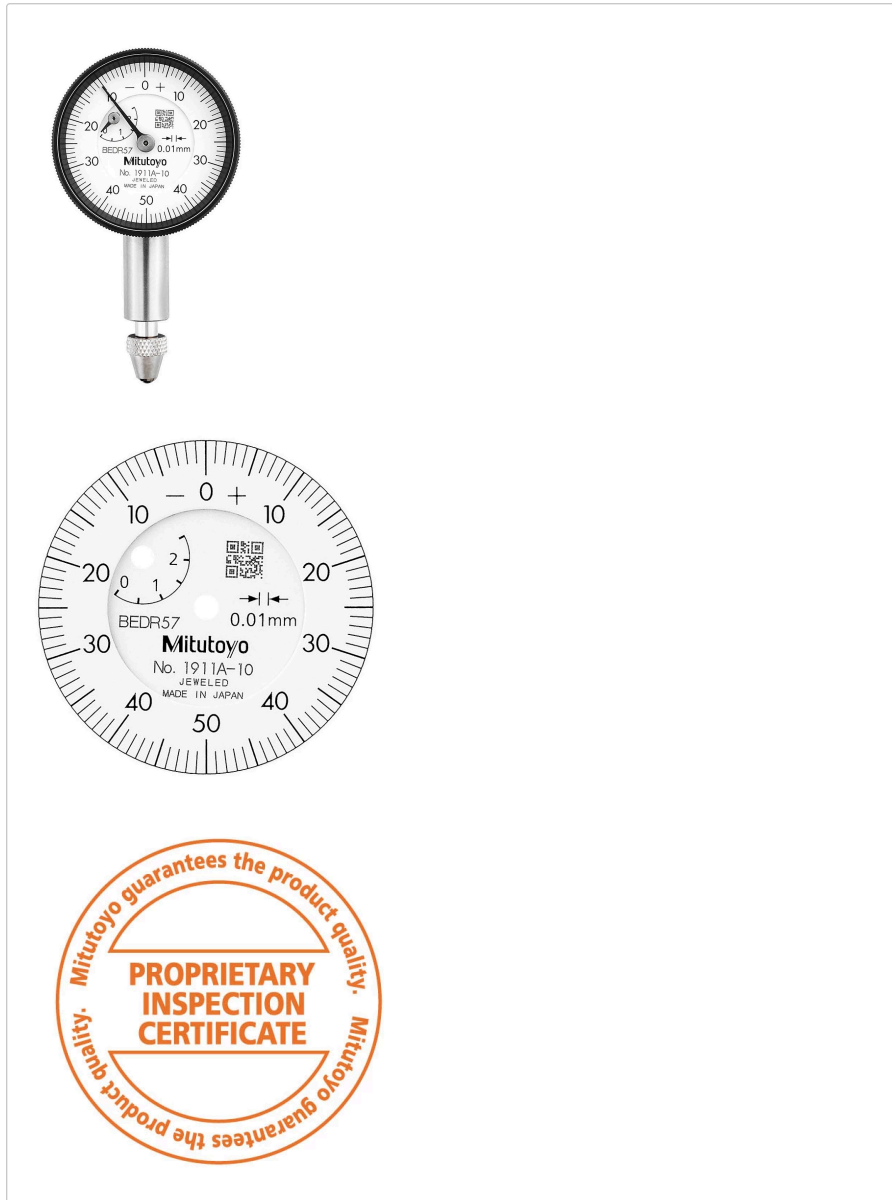


## Dial Gauge, Lug Back, ISO Type

Item number: 1911A-10

### Images



### Description

#### Compact Type, Extra Small Diameter - Metric

This is a compact, dial indicator with a bezel  $\varnothing$  31 / 36 mm. It offers you the following benefits:

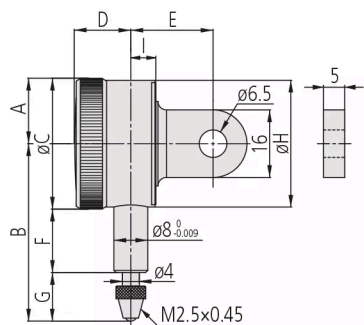
- It is ideal for use in applications where space is limited.

### Features

<b>Digital/Analog:</b>	Analog
<b>Inch-Metric:</b>	Metric
<b>Range:</b>	2.5 mm
<b>Range per rev.:</b>	1 mm
<b>Dial reading:</b>	0-50-0
<b>Delivered:</b>	With certificate of inspection
<b>Graduation:</b>	0.01 mm

<b>MPE any 1/10 revolution:</b>	6.5 µm
<b>MPE any 1/2 revolution:</b>	10 µm
<b>MPE any 1 revolution:</b>	11 µm
<b>MPE measuring range:</b>	13 µm
<b>H MPE (Hysteresis):</b>	3.5 µm
<b>R MPE (Repeatability):</b>	3 µm
<b>Measuring force:</b>	0,3-1,8 N
<b>Stem:</b>	8 mm
<b>Contact point:</b>	Carbide tipped, thread: M 2.5 x 0.45 mm
<b>Balanced dial:</b>	Yes
<b>Type:</b>	EN ISO Standard
<b>Mass:</b>	55 g

### Dimensions



**A:** 15.5 mm

**B:** 42 mm

**C:** 31 mm

**D:** 12.7 mm

**E:** 19.4 mm

**F:** 15.1 mm

**G:** 11.5 mm

**H:** 30 mm

**I:** 6 mm

### Spare parts

Consumable spares:



#### Contact Element Ball Point, M2,5x0,45

8,3mm Length, Metric

Art No. 21AZA319

Suggested retail price: 6.30 €\*