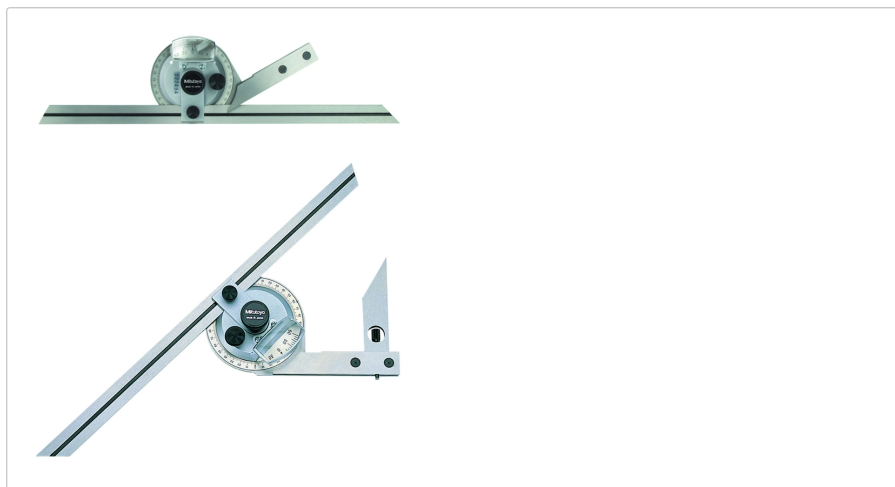


Universal Protractor

Item number: 187-908-10

Images



Description

This universal bevel protector offers you the following benefits:

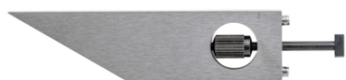
- Its high-precision angle gauge enables you to take accurate angle measurements of machines, moulds and jigs.
- You can attach it to height gauges.

Features

Inch-Metric:	Metric
Graduation:	5' (0° - 90° - 0°)
Blade edge angle:	60°, 45° edges
Blade length:	300 mm
Delivered:	In a box with holder for height gauge, magnifier
Mass:	318 g

Accessories

Optional accessories:



Acute angle attachment

for Series 187

Art No. 187-105

Suggested retail price: 76.00 €*

Standard accessories:

Steel Rule

300mm/12", Metric/Inch

Art No. 187-107

Suggested retail price: 49.00 €*


Holder for Mounting on Height Gauges

Metric, Series 187

Art No. 950750

Suggested retail price: 48.00 €*
