

Dial Gauge, Flat Back, ANSI/AGD Type

Item number: 1802AB-10

Images



Description

Compact Type, Small Diameter - Inch

This is a compact, inch dial indicator with a bezel \varnothing 40 mm. It offers you the following benefits:

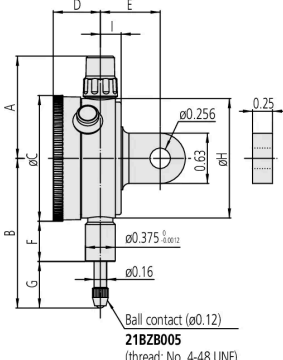
- It is ideal for use in applications where space is limited.
- Green limit markers are a standard accessory.

Features

Digital/Analog:	Analog
Inch-Metric:	Inch
Range:	0,025 "
Range per rev.:	0.01 "
Dial reading:	0-10
Delivered:	With certificate of inspection, bezel clamp
Graduation:	0.0001"
H MPE (Hysteresis):	0,0001"
R MPE (Repeatability):	$\pm 0,00003$ "
MPE first one revolution:	$\pm 0,0001$ "
MPE first 2 1/2 revolutions:	$\pm 0,0001$ "
Type:	ANSI/AGD Standard
Measuring force:	0,4-1,5 N

Stem:	9.52 mm / 0.375"
Contact point:	Carbide tipped, thread: 4-48UNF
Continuous dial:	Yes
Shockproof:	Yes
Mass:	70 g

Dimensions



A: 1.28 inch
B: 1.63 inch
C: 1.57 inch
D: 0.59 inch
E: 3/4 inch
F: 0.5 inch
G: 0.33 inch
H: 1.5 inch
I: 0.26 inch

Technical drawing details:
 - Dimensions: A, B, C, D, E, F, G, H, I
 - Diameters: $\phi 0.256$, $\phi 0.63$, $\phi 0.375$, $\phi 0.16$, $\phi 0.12$
 - Thread: 218ZB005 (thread: No. 4-48 UNF)
 - Ball contact ($\phi 0.12$)

Accessories

Optional accessories:



Limit Hands (Green) 2 pcs.

Dial Indicator Series 1, Test Indicator
 Art No. 21AAB363

Price on application



Spindle Lifting Lever

for S-Type and A-Type Serie 1

Art No. 902100

Price on application

Spindle Lifting Cable

for Indicator, L=500mm

Art No. 21JZA295

[Price on application](#)



Spindle Lifting Cable with Auto Stop

for Indicator, L=300mm

Art No. 21JZA301

[Price on application](#)



Standard accessories:

Bezel Clamp for Dial Gauge

Series 1

Art No. 21RZA149

[Price on application](#)



Spare parts

Consumable spares:

Contact Element Ball Point, 4-48UNF

1/4" Length, Carbide, Inch

Art No. 21BZB005

Suggested retail price: 13.30 €*



