

Dial Indicator, Flat Back, AGD/ANSI

Item number: 1506SB

Images



Description

Compact Type, Small Diameter - Inch

This is a compact, inch dial indicator with a bezel Ø 40 mm. It offers you the following benefits:

- It is ideal for use in applications where space is limited.
- Green limit markers are a standard accessory.

Features

Digital/Analog:	Analog
Inch-Metric:	Inch
Range:	0,125 "
Range per rev.:	0.05"
Dial reading:	0-50
Delivered:	With certificate of inspection, bezel clamp
Graduation:	0.0005"
H MPE (Hysteresis):	0,00016"
R MPE (Repeatability):	±0,0001"
MPE first one revolution:	±0,0005"
MPE first 2 1/2 revolutions:	±0,0005"
Type:	ANSI/AGD Standard
Measuring force:	0,4-1,4 N

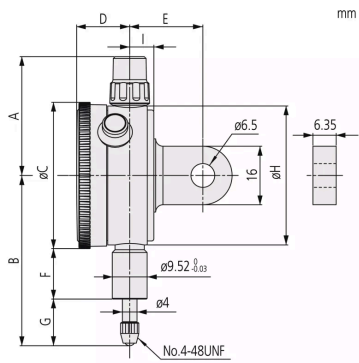
Stem: 9.52 mm / 0.375"

Contact point: Carbide tipped, thread: 4-48UNF

Continuous dial: Yes

Mass: 70 g

Dimensions



A: 32.5 mm

B: 44.4 mm

C: 40 mm

D: 14.5 mm

E: 19 mm

F: 12.8 mm

G: 11.3 mm

I: 6.6 mm

Spare parts

Consumable spares:



Contact Element Ball Point, 4-48UNF

1/4" Length, Carbide, Inch

Art No. 21BZB005

Suggested retail price: 13.30 €*