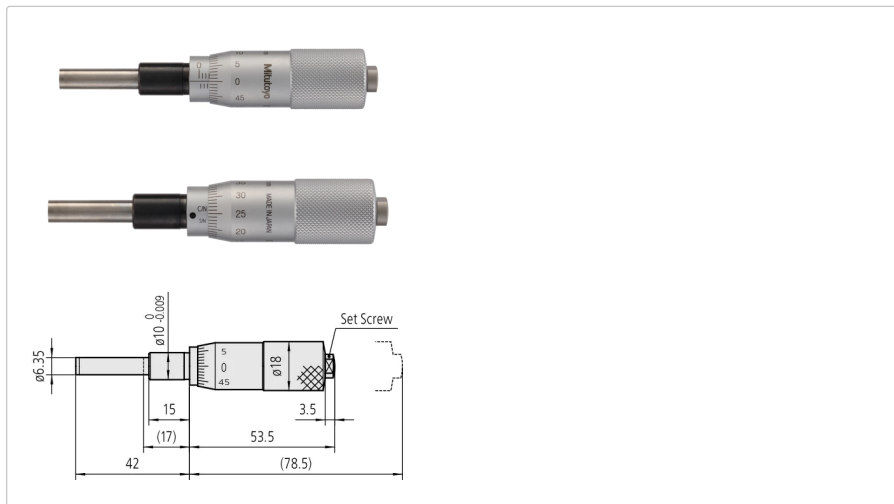


Micrometer Head, Medium-sized Type

Item number: 150-196-10

Images



Description

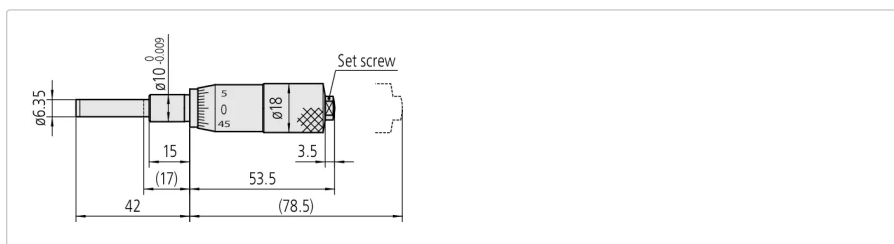
This is a standard, medium-size micrometer head that offers you the following benefits:

- Plain stem and a flat or spherical spindle end
- With carbide-tipped spindle

Features

Digital/Analog:	Analog
Delivered:	In a paper box
Inch-Metric:	Metric
Graduation:	0,01 mm
Range:	0 - 25 mm
Max. Permissible Error J MPE:	$\pm 2 \mu\text{m}$
Spindle end:	Flat
Spindle pitch:	0,5 mm
Stem ϕ:	10 mm
Stem:	Plain
Special features:	w/o ratchet stop
Measuring face:	Carbide tipped (>90 HRA)
Mass:	90 g

Dimensions



Optional accessories:



**Fixture for Micrometer Head,
Plain Stem**

for 10mm Stem
Art No. 303579
Suggested retail price: 50.00 €*



**Fixture for Micrometer Head,
Plain Stem**

for 10mm Stem
Art No. 303583
Suggested retail price: 50.00 €*



**Fixture for Micrometer Head,
Plain Stem**

for 10mm Stem
Art No. 303581
Suggested retail price: 50.00 €*



**Fixture for Micrometer Head,
Plain Stem**

for 10mm Stem
Art No. 303585
Suggested retail price: 50.00 €*
