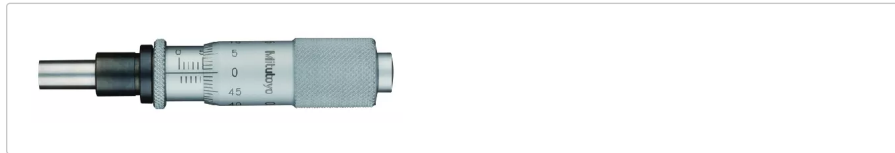


Micrometer Head, Carbide Tipped Spindle

Item number: 149-183-10

Images



Description

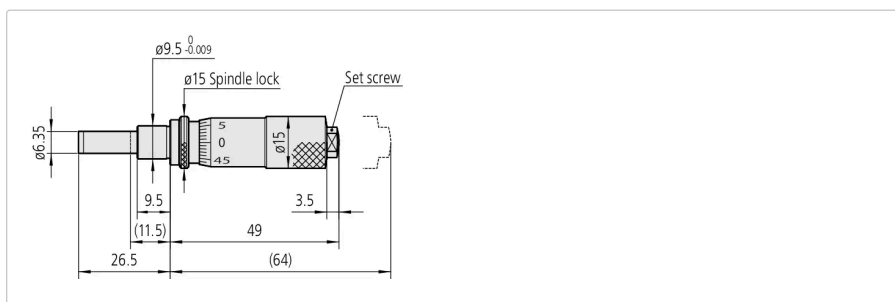
This small micrometer head with tungsten carbide measuring surface offers you the following benefits:

- Stem with clamp nut and a flat or spherical spindle end
- Stem with carbide-tipped spindle

Features

Digital/Analog:	Analog
Delivered:	In a paper box
Inch-Metric:	Metric
Range:	0 - 15 mm
Graduation:	0.01mm
Max. Permissible Error J MPE:	±2 μm
Spindle end:	Flat
Spindle pitch:	0.5 mm
Stem Ø:	9.5 mm
Stem:	Plain
Measuring face:	Carbide tipped (>90 HRA)
Mass:	55 g

Dimensions



Accessories

Optional accessories:



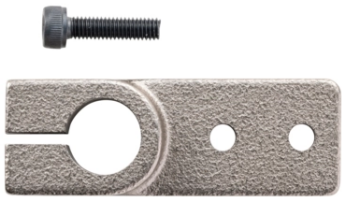
Fixture for Micrometer Head, Plain Stem

for 9,5mm Stem
Art No. 303560
Suggested retail price: 43.00 €*



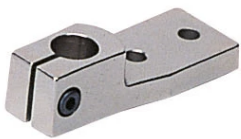
Fixture for Micrometer Head, Plain Stem

for 9,5mm Stem
Art No. 303569
Suggested retail price: 46.00 €*



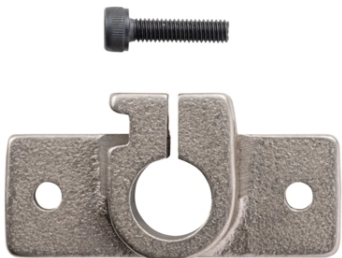
Fixture for Micrometer Head, Plain Stem

for 9,5mm Stem
Art No. 303564
Suggested retail price: 43.00 €*



Fixture for Micrometer Head, Plain Stem

for 9,5mm Stem
Art No. 303573
Suggested retail price: 46.00 €*



Fixture for Micrometer Head, Plain Stem

for 9,5mm Stem
Art No. 303562
Suggested retail price: 43.00 €*



Fixture for Micrometer Head, Plain Stem

for 9,5mm Stem
Art No. 303571
Suggested retail price: 46.00 €*



Fixture for Micrometer Head, Plain Stem

for 9,5mm Stem
Art No. 303566
Suggested retail price: 43.00 €*



Fixture for Micrometer Head, Plain Stem

for 9,5mm Stem
Art No. 303575
Suggested retail price: 46.00 €*
