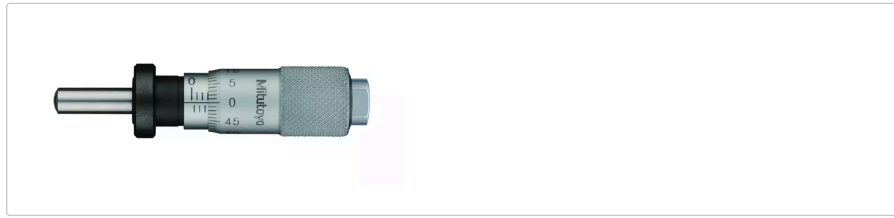


Micrometer Head, Small Standard Type

Item number: 148-802-10

Images



Description

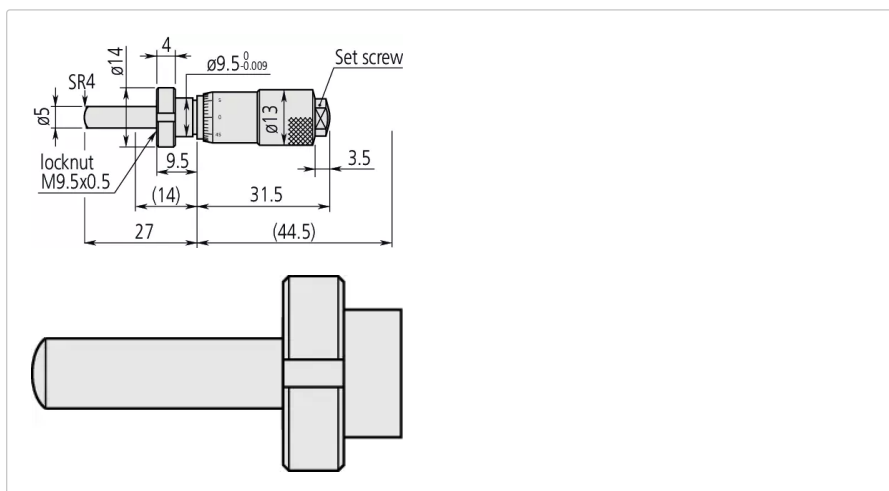
This is a standard, small-sized micrometer head which offers you the following benefits:

- Plain stem and a flat or spherical spindle end
- Hardened steel measuring surface

Features

Digital/Analog:	Analog
Delivered:	In a paper box with spanner 301336
Inch-Metric:	Metric
Range:	0 - 13 mm
Graduation:	0,01 mm
Max. Permissible Error J MPE:	$\pm 2 \mu\text{m}$
Spindle end:	Spherical (SR4)
Spindle pitch:	0,5 mm
Stem \varnothing:	9.5 mm
Stem:	w/ clamp nut
Fixture thickness for clamp nut:	6 mm
Measuring face:	Hardened steel (> 60 HRC)
Mass:	35 g

Dimensions



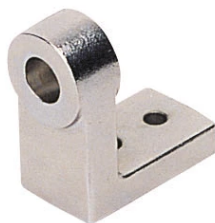
Accessories

Optional accessories:



**Fixture for Micrometer Head,
Clamp Nut**

for 9,5mm Stem
Art No. 303559
Suggested retail price: 43.00 €*



**Fixture for Micrometer Head,
Clamp Nut**

for 9,5mm Stem
Art No. 303568
Suggested retail price: 46.00 €*



**Fixture for Micrometer Head,
Clamp Nut**

for 9,5mm Stem
Art No. 303563
Suggested retail price: 43.00 €*



**Fixture for Micrometer Head,
Clamp Nut**

for 9,5mm Stem
Art No. 303572
Suggested retail price: 46.00 €*



**Fixture for Micrometer Head,
Clamp Nut**

for 9,5mm Stem
Art No. 303561
Suggested retail price: 43.00 €*



Fixture for Micrometer Head, Clamp Nut

for 9,5mm Stem
Art No. 303570
Suggested retail price: 46.00 €*



Fixture for Micrometer Head, Clamp Nut

for 9,5mm Stem
Art No. 303565
Suggested retail price: 43.00 €*



Fixture for Micrometer Head, Clamp Nut

for 9,5mm Stem
Art No. 303574
Suggested retail price: 46.00 €*
