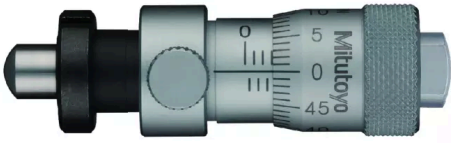


Micrometer Head, Locking Screw Type

Item number: 148-319-10

Images



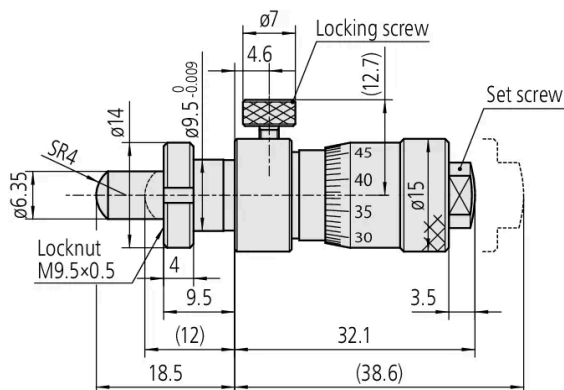
Description

These micrometer heads feature a knurled locking screw so you can lock the spindle in any position with the knurled locking screw.

Features

Digital/Analog:	Analog
Delivered:	In a paper box with spanner 301336
Inch-Metric:	Metric
Range:	0 - 6.5 mm
Graduation:	0.01 mm
Max. Permissible Error J MPE:	$\pm 2 \mu\text{m}$
Spindle end:	Spherical (SR4)
Spindle pitch:	0.5 mm
Stem \varnothing :	9.5 mm
Stem:	w/ clamp nut
Fixture thickness for clamp nut:	6 mm
Measuring face:	Hardened steel ($> 60 \text{ HRC}$)
Mass:	43 g

Dimensions



Accessories

Optional accessories:



Fixture for
Micrometer
Head, Clamp Nut
for 9,5mm Stem
303559
Suggested retail
price: 43.00 €*

Fixture for
Micrometer
Head, Clamp Nut
for 9,5mm Stem
Art No. 303559
Suggested retail
price: 43.00 €*



Fixture for
Micrometer
Head, Clamp Nut
for 9,5mm Stem
303568
Suggested retail
price: 46.00 €*

Fixture for
Micrometer
Head, Clamp Nut
for 9,5mm Stem
Art No. 303568
Suggested retail
price: 46.00 €*



Fixture for
Micrometer
Head, Clamp Nut
for 9,5mm Stem
303563
Suggested retail
price: 43.00 €*

Fixture for
Micrometer
Head, Clamp Nut
for 9,5mm Stem
Art No. 303563
Suggested retail
price: 43.00 €*



Fixture for
Micrometer
Head, Clamp Nut
for 9,5mm Stem
303572
Suggested retail
price: 46.00 €*

Fixture for
Micrometer
Head, Clamp Nut
for 9,5mm Stem
Art No. 303572
Suggested retail
price: 46.00 €*



Fixture for
Micrometer
Head, Clamp Nut
for 9,5mm Stem
303561
Suggested retail
price: 43.00 €*

Fixture for
Micrometer
Head, Clamp Nut
for 9,5mm Stem
Art No. 303561
Suggested retail
price: 43.00 €*



Fixture for
Micrometer
Head, Clamp Nut
for 9,5mm Stem
303570
Suggested retail
price: 46.00 €*

Fixture for
Micrometer
Head, Clamp Nut
for 9,5mm Stem
Art No. 303570
Suggested retail
price: 46.00 €*



Fixture for
Micrometer
Head, Clamp Nut
for 9,5mm Stem
303565
Suggested retail
price: 43.00 €*

Fixture for
Micrometer
Head, Clamp Nut
for 9,5mm Stem
Art No. 303565
Suggested retail
price: 43.00 €*



Fixture for
Micrometer
Head, Clamp Nut
for 9,5mm Stem
303574
Suggested retail
price: 46.00 €*

Fixture for
Micrometer
Head, Clamp Nut
for 9,5mm Stem
Art No. 303574
Suggested retail
price: 46.00 €*