

Micrometer Head, Short Thimble Type

Item number: 148-304-10

Images



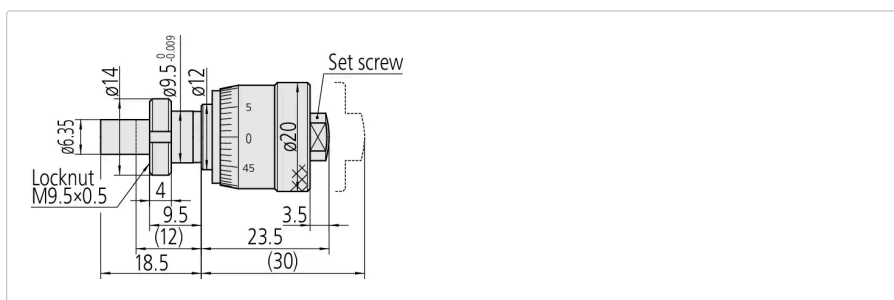
Description

Short thimble type with thimble diameter options.

Features

Digital/Analog:	Analog
Delivered:	In a paper box with spanner 301336
Inch-Metric:	Metric
Range:	0 - 6.5 mm
Graduation:	0.01 mm
Max. Permissible Error J MPE:	±2 μm
Spindle end:	Flat
Spindle pitch:	0.5 mm
Stem Ø:	9.5 mm
Stem:	w/ clamp nut
Fixture thickness for clamp nut:	6 mm
Measuring face:	Hardened steel (> 60 HRC)
Thimble Ø:	20 mm
Mass:	39 g

Dimensions



Optional accessories:



**Fixture for Micrometer Head,
Clamp Nut**

for 9,5mm Stem
Art No. 303559
Suggested retail price: 43.00 €*



**Fixture for Micrometer Head,
Clamp Nut**

for 9,5mm Stem
Art No. 303568
Suggested retail price: 46.00 €*



**Fixture for Micrometer Head,
Clamp Nut**

for 9,5mm Stem
Art No. 303563
Suggested retail price: 43.00 €*



**Fixture for Micrometer Head,
Clamp Nut**

for 9,5mm Stem
Art No. 303572
Suggested retail price: 46.00 €*



**Fixture for Micrometer Head,
Clamp Nut**

for 9,5mm Stem
Art No. 303561
Suggested retail price: 43.00 €*



Fixture for Micrometer Head, Clamp Nut

for 9,5mm Stem
Art No. 303570
Suggested retail price: 46.00 €*



Fixture for Micrometer Head, Clamp Nut

for 9,5mm Stem
Art No. 303565
Suggested retail price: 43.00 €*



Fixture for Micrometer Head, Clamp Nut

for 9,5mm Stem
Art No. 303574
Suggested retail price: 46.00 €*
