

# Micrometer Head, Locking Screw Type

Item number: 148-152-10

## Images



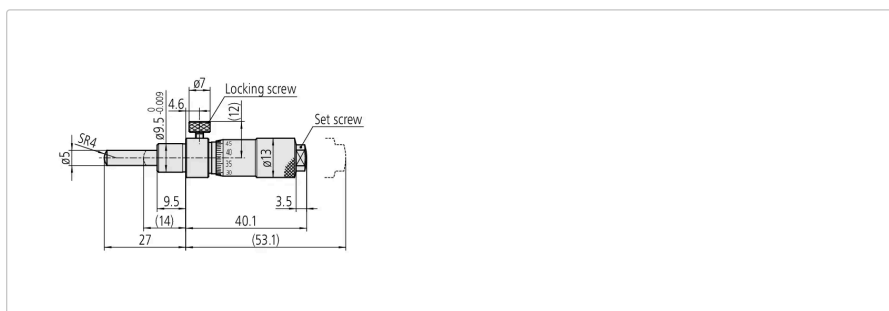
## Description

These micrometer heads feature a locking screw so you can lock the spindle in any position with the knurled locking screw.

## Features

<b>Digital/Analog:</b>	Analog
<b>Delivered:</b>	In a paper box
<b>Inch-Metric:</b>	Metric
<b>Range:</b>	0 - 13 mm
<b>Graduation:</b>	0.01 mm
<b>Max. Permissible Error J MPE:</b>	$\pm 2 \mu\text{m}$
<b>Spindle end:</b>	Spherical (SR4)
<b>Spindle pitch:</b>	0,5 mm
<b>Stem <math>\varnothing</math>:</b>	9.5 mm
<b>Stem:</b>	Plain
<b>Measuring face:</b>	Hardened steel (> 60 HRC)
<b>Mass:</b>	40 g

## Dimensions



## Accessories

Optional accessories:



### Fixture for Micrometer Head, Plain Stem

for 9,5mm Stem  
Art No. 303560  
Suggested retail price: 43.00 €\*  

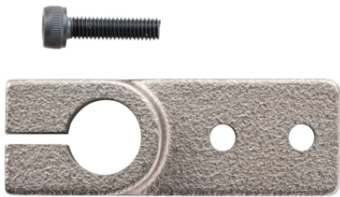
---



### Fixture for Micrometer Head, Plain Stem

for 9,5mm Stem  
Art No. 303569  
Suggested retail price: 46.00 €\*  

---



### Fixture for Micrometer Head, Plain Stem

for 9,5mm Stem  
Art No. 303564  
Suggested retail price: 43.00 €\*  

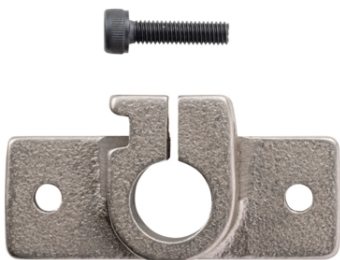
---



### Fixture for Micrometer Head, Plain Stem

for 9,5mm Stem  
Art No. 303573  
Suggested retail price: 46.00 €\*  

---



### Fixture for Micrometer Head, Plain Stem

for 9,5mm Stem  
Art No. 303562  
Suggested retail price: 43.00 €\*  

---



### Fixture for Micrometer Head, Plain Stem

for 9,5mm Stem  
Art No. 303571  
Suggested retail price: 46.00 €\*  

---



### Fixture for Micrometer Head, Plain Stem

for 9,5mm Stem  
Art No. 303566  
Suggested retail price: 43.00 €\*  

---



### Fixture for Micrometer Head, Plain Stem

for 9,5mm Stem  
Art No. 303575  
Suggested retail price: 46.00 €\*  

---