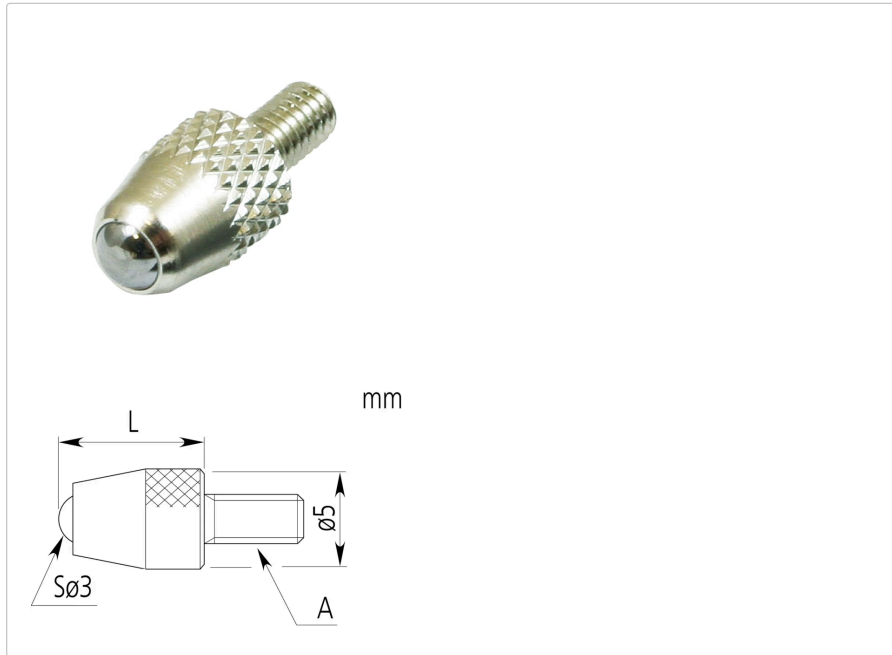


Contact Element Ball Point, M2,5x0,45

Item number: 137391

Images



Features

Inch-Metric:	Metric
Functions:	A: M2,5 x 0,45
Material:	Carbide