

Disc Micrometer, Hardened Steel Disks

Item number: 123-127

Images



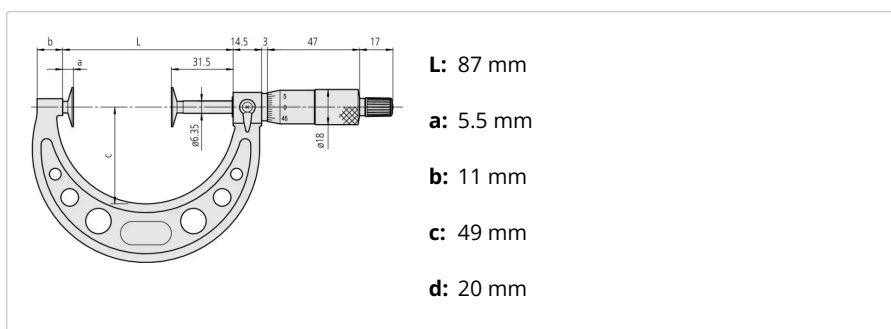
Description

A Mitutoyo non-digital micrometer provided with disc-ended spindle and anvil to enable measurement of shrouded features, such as gear teeth. A ratchet stop guarantees repeatable measurement.

Features

Digital/Analog:	Analog
Inch-Metric:	Inch
Range:	2 - 3 "
Graduation:	0,001"
Max. Permissible Error J MPE:	±0.0003"
Delivered:	Including box, spanner, setting standard
Flatness:	0.00004"
Parallelism:	0.00024"
Measuring face:	Carbide-tipped (123-113, -114, -115, -116) or hardened steel spindle and anvil
Measuring spindle:	With spindle lock, $\varnothing 6,35$ mm, spindle pitch 0,5 mm
Scale:	Thimble and sleeve satin chrome finish, $\varnothing 18$ mm
Measuring force:	5 - 10 N
Measurable module:	0.5 - 6 mm
Mass:	250 g

Dimensions



Optional accessories:

Promotion!



Micrometer Stand, Adjustable Angle Type
for Micrometer 0-100mm/0-4"
Art No. 156-101-10
Promo price: 56.00 €*
Suggested retail price: ~~70.00 €*~~

Standard accessories:



Micrometer Setting Standard

Length: 2"
Art No. 167-142
Suggested retail price: 36.00 €*