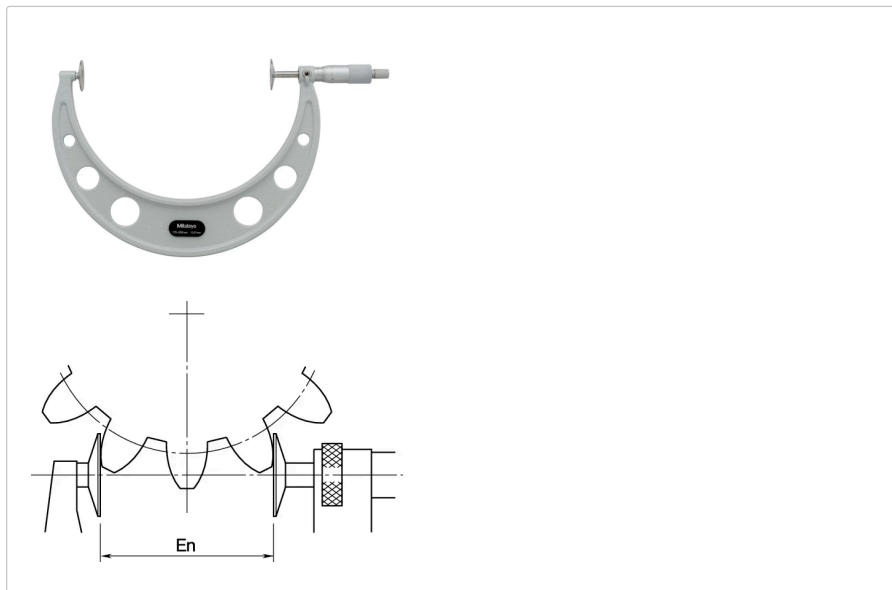


Disc Micrometer, Hardened Steel Disks

Item number: 123-108

Images



Description

This Disc Micrometer enables you to measure hard-to-reach features, offering you the following benefits:

- Measuring the root tangent length of spur and helical gears.
- You can measure recessed features that are difficult to reach with a standard micrometer.

Features

Digital/Analog:	Analog
Inch-Metric:	Metric
Range:	175 - 200 mm
Graduation:	0,01 mm
Max. Permissible Error J MPE:	$\pm 8 \mu\text{m}$
Delivered:	Including box, spanner, setting standard
Flatness:	$1,6 \mu\text{m}$
Parallelism:	$8 \mu\text{m}$
Measuring face:	Carbide-tipped (123-113, -114, -115, -116) or hardened steel spindle and anvil
Measuring spindle:	With spindle lock, $\varnothing 6,35$ mm, spindle pitch 0,5 mm
Scale:	Thimble and sleeve satin chrome finish, $\varnothing 18$ mm
Measuring force:	5 - 10 N
Measurable module:	0.7 - 11 mm
Mass:	890 g

Dimensions

