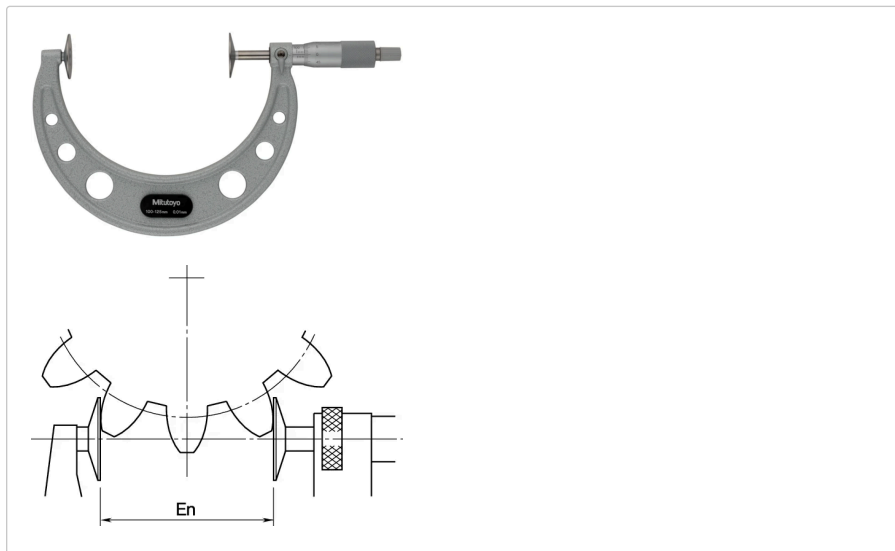


Disc Micrometer, Hardened Steel Disks

Item number: 123-105

Images



Description

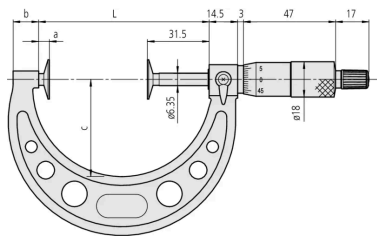
This Disc Micrometer enables you to measure hard-to-reach features, offering you the following benefits:

- Measuring the root tangent length of spur and helical gears.
- You can measure recessed features that are difficult to reach with a standard micrometer.

Features

Digital/Analog:	Analog
Inch-Metric:	Metric
Range:	100 - 125 mm
Graduation:	0,01 mm
Max. Permissible Error J MPE:	$\pm 7 \mu\text{m}$
Delivered:	Including box, spanner, setting standard
Flatness:	1,6 μm
Parallelism:	7 μm
Measuring face:	Carbide-tipped (123-113, -114, -115, -116) or hardened steel spindle and anvil
Measuring spindle:	With spindle lock, $\varnothing 6,35$ mm, spindle pitch 0,5 mm
Scale:	Thimble and sleeve satin chrome finish, $\varnothing 18$ mm
Measuring force:	5 - 10 N
Measurable module:	0.7 - 11 mm
Mass:	520 g

Dimensions



L: 137.5 mm

a: 6 mm

b: 12 mm

c: 79 mm

d: 30 mm

Accessories

Optional accessories:



Micrometer Stand

for Micrometer 100-300mm/5-12"

Art No. 156-102

Suggested retail price: 699.00 €*

Standard accessories:



Micrometer Setting Standard

Length: 100mm

Art No. 167-104

Suggested retail price: 38.00 €*