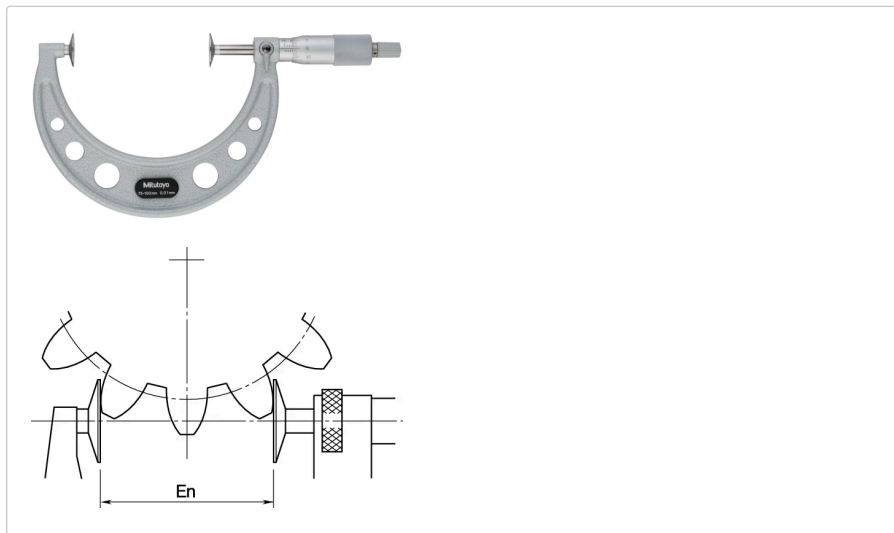


Disc Micrometer, Hardened Steel Disks

Item number: 123-104

Images



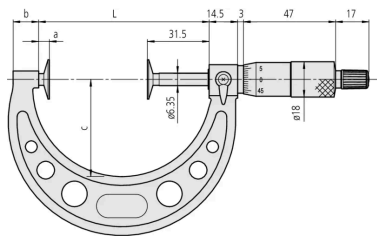
Description

A Mitutoyo non-digital micrometer provided with disc-ended spindle and anvil to enable measurement of shrouded features, such as gear teeth. A ratchet stop guarantees repeatable measurement.

Features

Digital/Analog:	Analog
Inch-Metric:	Metric
Range:	75 - 100 mm
Graduation:	0,01 mm
Max. Permissible Error J MPE:	$\pm 6 \mu\text{m}$
Delivered:	Including box, spanner, setting standard
Flatness:	1 μm
Parallelism:	6 μm
Measuring face:	Carbide-tipped (123-113, -114, -115, -116) or hardened steel spindle and anvil
Measuring spindle:	With spindle lock, $\varnothing 6,35$ mm, spindle pitch 0,5 mm
Scale:	Thimble and sleeve satin chrome finish, $\varnothing 18$ mm
Measuring force:	5 - 10 N
Measurable module:	0.5 - 6 mm
Mass:	375 g

Dimensions



L: 112 mm

a: 5.5 mm

b: 11 mm

c: 63 mm

d: 20 mm

Accessories

Optional accessories:

Promotion!



Micrometer Stand, Adjustable Angle Type
for Micrometer 0-100mm/0-4"
Art No. 156-101-10
Promo price: **56.00 €***
~~Suggested retail price: 70.00 €*~~

Standard accessories:



Micrometer Setting Standard

Length: 75mm

Art No. 167-103

Suggested retail price: **37.00 €***