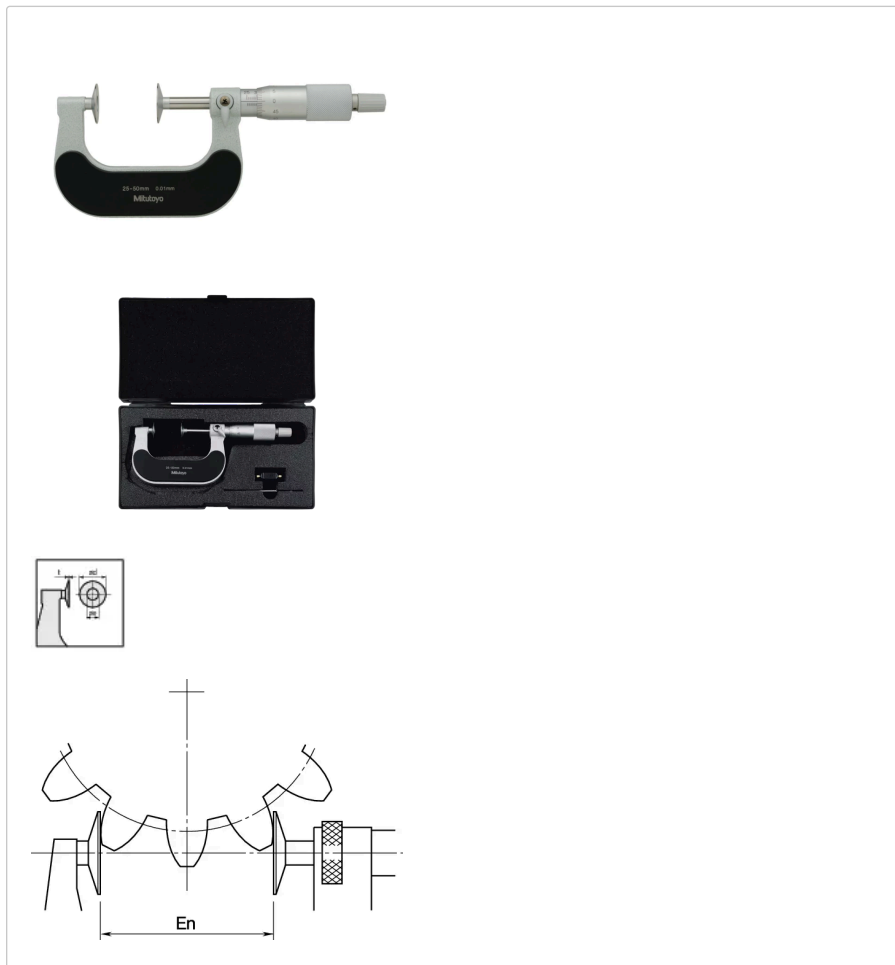


## Disc Micrometer, Hardened Steel Disks

Item number: 123-102

### Images



### Description

A Mitutoyo non-digital micrometer provided with disc-ended spindle and anvil to enable measurement of shrouded features, such as gear teeth. A ratchet stop guarantees repeatable measurement.

### Features

<b>Digital/Analog:</b>	Analog
<b>Inch-Metric:</b>	Metric
<b>Range:</b>	25 - 50 mm
<b>Graduation:</b>	0,01 mm
<b>Max. Permissible Error J MPE:</b>	$\pm 4 \mu\text{m}$
<b>Delivered:</b>	Including box, spanner, setting standard
<b>Flatness:</b>	$1 \mu\text{m}$
<b>Parallelism:</b>	$4 \mu\text{m}$
<b>Measuring face:</b>	Carbide-tipped (123-113, -114, -115, -116) or hardened steel spindle and anvil
<b>Measuring spindle:</b>	With spindle lock, $\varnothing 6,35 \text{ mm}$ , spindle pitch $0,5 \text{ mm}$

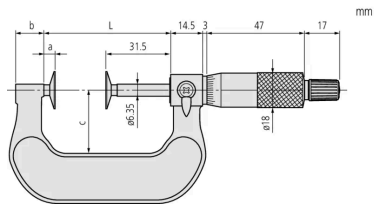
**Scale:** Thimble and sleeve satin chrome finish,  $\varnothing 18$  mm

**Measuring force:** 5 - 10 N

**Measurable module:** 0.5 - 6 mm

**Mass:** 250 g

## Dimensions



**L:** 62.5 mm

**a:** 6 mm

**b:** 14 mm

**c:** 32 mm

**d:** 20 mm

## Accessories

### Optional accessories:



### Micrometer Stand, 45° Angle Type

for Micrometer 0-50mm/0-2"

Art No. 156-105-10

Suggested retail price: 58.00 €\*

Promotion!



### Micrometer Stand, Adjustable Angle Type

for Micrometer 0-100mm/0-4"

Art No. 156-101-10

Promo price: 56.00 €\*

Suggested retail price: 70.00 €\*

### Standard accessories:



### Micrometer Setting Standard

Length: 25mm

Art No. 167-101

Suggested retail price: 33.00 €\*

