

## Sheet Metal Micrometer

Item number: 118-126

### Images



### Description

A Mitutoyo non-digital micrometer provided with a deep frame to enable measurement of sheet metal thickness farther from the edge of a sheet than is possible with a standard micrometer. A ratchet stop guarantees repeatable measurement.

### Features

<b>Digital/Analog:</b>	Analog
<b>Delivered:</b>	Including box, spanner, setting standard
<b>Inch-Metric:</b>	Metric
<b>Range:</b>	25 - 50 mm
<b>Graduation:</b>	0,01 mm
<b>Max. Permissible Error J MPE:</b>	$\pm 4 \mu\text{m}$
<b>Flatness:</b>	$0,6 \mu\text{m}$
<b>Parallelism:</b>	$3 \mu\text{m}$
<b>Measuring face:</b>	Carbide-tipped, micro-lap finish
<b>Anvil / Spindle:</b>	Type C, spherical/spherical
<b>Measuring spindle:</b>	With spindle lock, throat depth $\leq 150 \text{ mm}$ : $\varnothing 6,35 \text{ mm}$

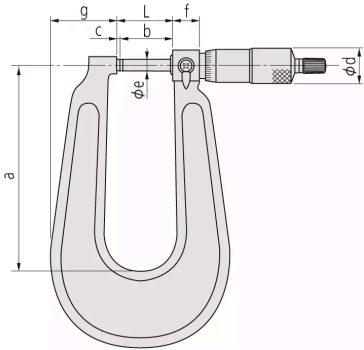
throat depth =300 mm :  $\varnothing$ 8 mm, spindle  
pitch 0,5 mm

**Scale:** Thimble and sleeve satin chrome finish,  
 $\varnothing$ 18 mm

**Measuring force:** 3 - 8 N

**Mass:** 820 g

## Dimensions



**L:** 55.3 mm

**a:** 165 mm

**b:** 27.5 mm

**c:** 2.5 mm

**d:** 18 mm

**f:** 14.5 mm

**g:** 41 mm

## Accessories

Standard accessories:



### Micrometer Setting Standard

Length: 25mm

Art No. 167-101

Suggested retail price: 33.00 €\*