

## Dial Gauge, ISO Type

Item number: 1162A

### Images



### Description

This is a back plunger, dial indicator with bezel  $\varnothing$  40 mm. It offers you the following benefits:

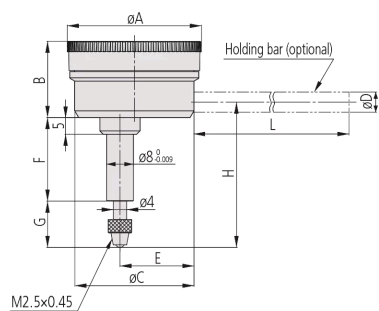
- It is ideal for use in applications where space is limited.

### Features

<b>Digital/Analog:</b>	Analog
<b>Inch-Metric:</b>	Metric
<b>Type:</b>	EN ISO Standard
<b>Range:</b>	5 mm
<b>Range per rev.:</b>	1 mm
<b>Dial reading:</b>	100-0
<b>Delivered:</b>	With certificate of inspection
<b>Graduation:</b>	0.01 mm

<b>MPE any 1/10 revolution:</b>	7 $\mu\text{m}$
<b>MPE any 1/2 revolution:</b>	11 $\mu\text{m}$
<b>MPE any 1 revolution:</b>	12 $\mu\text{m}$
<b>MPE measuring range:</b>	18 $\mu\text{m}$
<b>H MPE (Hysteresis):</b>	4 $\mu\text{m}$
<b>R MPE (Repeatability):</b>	3 $\mu\text{m}$
<b>Measuring force:</b>	0,4-1,4 N
<b>Stem:</b>	8 mm
<b>Contact point:</b>	Carbide tipped, thread: M 2.5 x 0.45 mm
<b>Continuous dial:</b>	Yes
<b>Reverse reading:</b>	Yes 3
<b>Mass:</b>	80 g

### Dimensions



**A:** 40 mm

**B:** 22.7 mm

**C:** 35.6 mm

**E:** 24.3 mm

**F:** 25 mm

**G:** 13.8 mm

**H:** 43.3 mm

### Accessories

#### Optional accessories:



#### **Holding Bar for Back Plunger Indicator**

Ø 8 mm, 81 mm Length

Art No. 136568

Suggested retail price: 5.30 €\*



### Limit Hands (Green) 2 pcs.

Dial Indicator Series 1, Test Indicator

Art No. 21AAB363

Price on application



### Holding Bar for Back Plunger Indicator

Ø 6 mm, 42 mm Length

Art No. 21AAA166

Suggested retail price: 5.80 €\*



### Holding Bar for Back Plunger Indicator

Ø 6 mm, 81 mm Length

Art No. 136567

Suggested retail price: 7.90 €\*



### Holding Bar for Back Plunger Indicator

Ø6,35mm, 81mm Length

Art No. 124625

Suggested retail price: 7.90 €\*



### Holding Bar for Back Plunger Indicator

Ø6,35mm, 42mm Length

Art No. 21AAA167

Suggested retail price: 5.80 €\*



## Holding Bar for Back Plunger Indicator

Ø 8 mm, 42 mm Length  
Art No. 21AAA168  
Suggested retail price: 6.30 €\*  

---

### Spare parts

#### Consumable spares:

---



## Contact Element Ball Point, M2,5x0,45

8,3mm Length, Metric  
Art No. 21AZA319  
Suggested retail price: 6.30 €\*  

---