

Tube Micrometer, Spherical Anvil

Item number: 115-101

Images



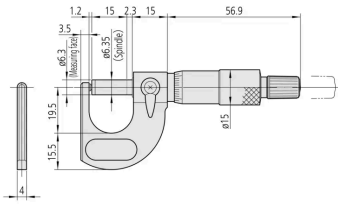
Description

This Tube Micrometer allows you to measure curved surfaces such as the wall thickness of tubes, bearings and rings.

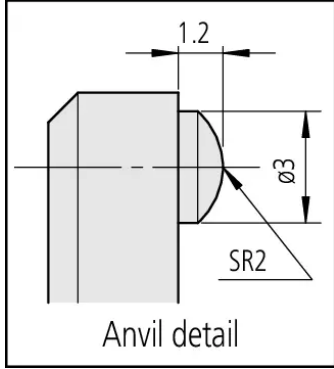
Features

Digital/Analog:	Analog
Delivered:	Including box, spanner
Inch-Metric:	Metric
Range:	0 - 15 mm
Graduation:	0,01 mm
Max. Permissible Error J MPE:	$\pm 3 \mu\text{m}$
Measuring face:	Spindle and anvil: carbide-tipped, micro-lap finish (115-1xx, 115-2xx) spindle: carbide-tipped, micro-lap finish anvil: hardened steel (115-3xx)
Anvil / Spindle:	Spherical D=3 mm and R=2 mm/flat spindle
Measuring spindle:	With spindle lock, $\varnothing 6,35$ mm, spindle pitch 0,5 mm
Scale:	Thimble and sleeve satin chrome finish, $\varnothing 18$ mm
Measuring force:	5 - 10 N

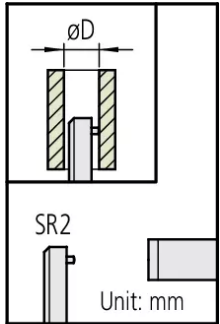
Dimensions



D: 5.5 mm



D: 5.5 mm



D: 5.5 mm

115-101

Accessories

Optional accessories:



Micrometer Stand, 45° Angle Type

for Micrometer 0-50mm/0-2"
 Art No. 156-105-10
 Suggested retail price: 58.00 €*

Promotion!



Micrometer Stand, Adjustable Angle Type

for Micrometer 0-100mm/0-4"
 Art No. 156-101-10
 Promo price: 55.90 €*
 Suggested retail price: 70.00 €*