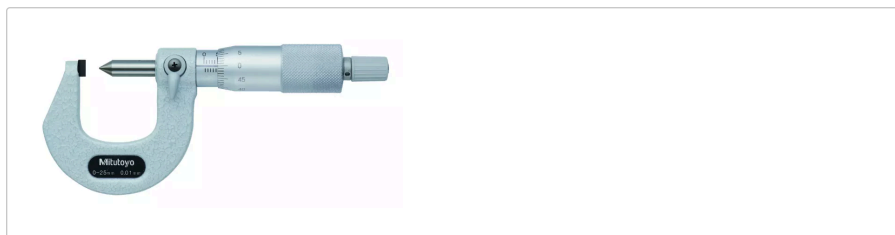


# Crimp Height Micrometer

Item number: 112-401

## Images



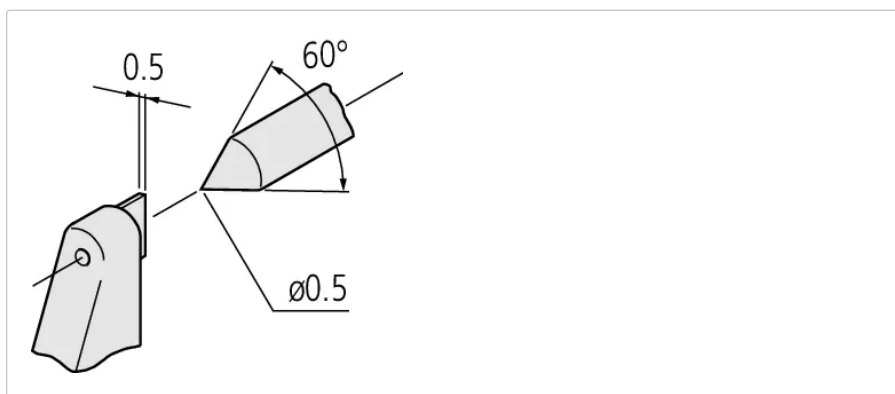
## Description

A Mitutoyo non-digital micrometer provided with pointed spindle to enable measurement of the crimp height of electrical contacts. A ratchet stop guarantees repeatable measurement.

## Features

|                                      |  |
|--------------------------------------|--|
| <b>Digital/Analog:</b>               | Analog   |
| <b>Inch-Metric:</b>                  | Metric   |
| <b>Range:</b>                        | 0 - 25 mm  |
| <b>Graduation:</b>                   | 0,01 mm  |
| <b>Max. Permissible Error J MPE:</b> | ±3 µm  |
| <b>Delivered:</b>                    | Including box, spanner   |
| <b>Measuring face:</b>               | Hardened steel, micro-lap finish   |
| <b>Measuring spindle:</b>            | With spindle lock,<br>ø 6.35 mm, spindle pitch 0.5 mm (342-271-30, 112-401)<br>without spindle lock<br>ø 6.35 mm, spindle pitch (342-451-20) 10 mm |
| <b>Scale:</b>                        | Thimble and sleeve satin chrome finish, ø18 mm   |
| <b>Measuring force:</b>              | 3 - 8 N  |
| <b>Power supply:</b>                 | 1 battery SR-44  |
| <b>Battery life:</b>                 | Appr. 2.4 years (342-271-30),<br>5 years under normal use (342-451-20)   |
| <b>Mass:</b>                         | 165 g  |

## Dimensions



Optional accessories:



### Micrometer Stand, 45° Angle Type

for Micrometer 0-50mm/0-2"  
Art No. 156-105-10  
Suggested retail price: 58.00 €\*  
~~70.00 €\* (crossed out)~~

Promotion!



### Micrometer Stand, Adjustable Angle Type

for Micrometer 0-100mm/0-4"  
Art No. 156-101-10  
Promo price: **56.00 €\* (in red)**  
Suggested retail price: 70.00 €\*  
~~70.00 €\* (crossed out)~~