

Spline Micrometer

Item number: 111-215

Images



Description

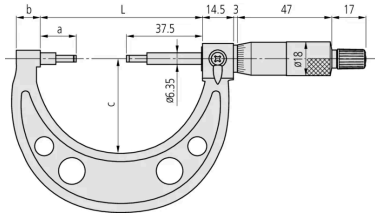
This Spline Micrometer makes it easy for you to measure grooves and shaped parts. It offers you the following benefits:

- Stepped measuring surfaces.
- Suitable for measuring grooves, splined shafts, recesses, shaped parts, etc.

Features

Digital/Analog:	Analog
Delivered:	Including box, spanner
Inch-Metric:	Metric
Range:	0 - 25 mm
Graduation:	0,01 mm
Max. Permissible Error J MPE:	$\pm 3 \mu\text{m}$
Flatness:	0,3 μm
Parallelism:	2 μm
Measuring face:	Carbide-tipped, micro-lap finish, stepped
Anvil / Spindle:	Type B, D=2 mm
Measuring spindle:	With spindle lock, $\varnothing 6,35$ mm, spindle pitch 0,5 mm
Scale:	Thimble and sleeve satin chrome finish, $\varnothing 18$ mm
Measuring force:	5 - 10 N
Mass:	205 g

Dimensions

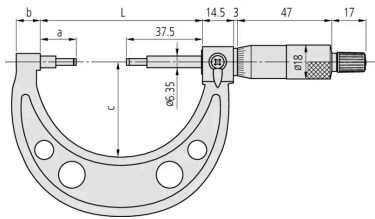


L: 54.5 mm

a: 17.8 mm

b: 10 mm

c: 38 mm

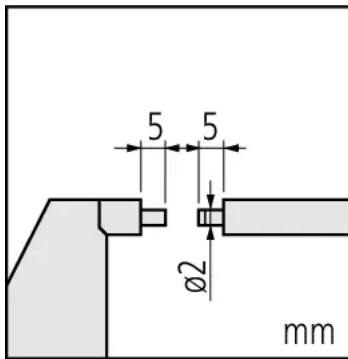


L: 54.5 mm

a: 17.8 mm

b: 10 mm

c: 38 mm



L: 54.5 mm

a: 17.8 mm

b: 10 mm

c: 38 mm

Accessories

Optional accessories:



Micrometer Stand, 45° Angle Type

for Micrometer 0-50mm/0-2"

Art No. 156-105-10

Suggested retail price: 58.00 €*

Promotion!



Micrometer Stand, Adjustable Angle Type

for Micrometer 0-100mm/0-4"

Art No. 156-101-10

Promo price: 55.90 €*

Suggested retail price: 70.00 €*