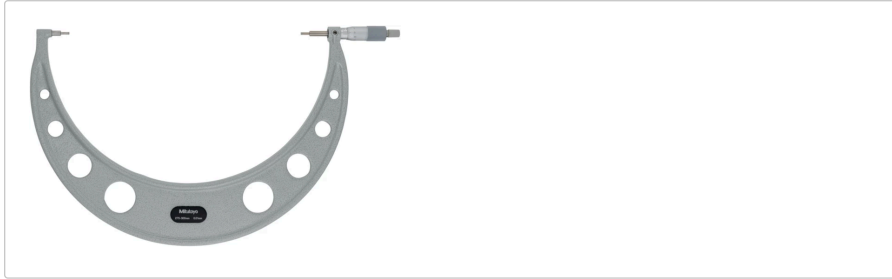


## Spline Micrometer

Item number: 111-126

### Images



### Description

This Spline Micrometer makes it easy for you to measure grooves and shaped parts.

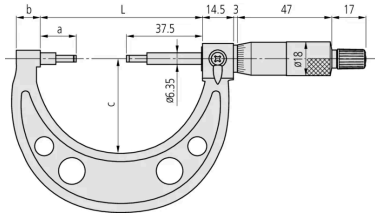
It offers you the following benefits:

- Stepped measuring surfaces.
- Suitable for measuring grooves, splined shafts, recesses, shaped parts, etc.

### Features

<b>Model:</b>	SPM-300
<b>Digital/Analog:</b>	Analog
<b>Delivered:</b>	Including box, spanner, setting standard
<b>Inch-Metric:</b>	Metric
<b>Range:</b>	275 - 300 mm
<b>Graduation:</b>	0,01 mm
<b>Max. Permissible Error J MPE:</b>	±6 µm
<b>Flatness:</b>	0,3 µm
<b>Parallelism:</b>	5 µm
<b>Measuring face:</b>	Carbide-tipped, micro-lap finish, stepped
<b>Anvil / Spindle:</b>	Type A, D=3 mm
<b>Measuring spindle:</b>	With spindle lock, ø6,35 mm, spindle pitch 0,5 mm
<b>Scale:</b>	Thimble and sleeve satin chrome finish, ø18 mm
<b>Measuring force:</b>	5 - 10 N
<b>Mass:</b>	1975 g

### Dimensions

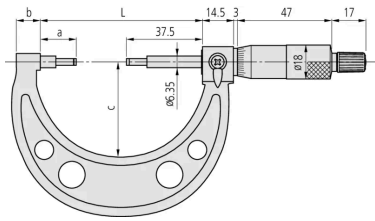


**L:** 333.5 mm

**a:** 21.5 mm

**b:** 18 mm

**c:** 181 mm

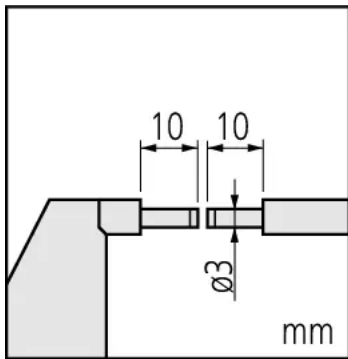


**L:** 333.5 mm

**a:** 21.5 mm

**b:** 18 mm

**c:** 181 mm



**L:** 333.5 mm

**a:** 21.5 mm

**b:** 18 mm

**c:** 181 mm

## Accessories

Optional accessories:



### Micrometer Stand, Adjustable Angle Type

for Micrometer 0-100mm/0-4"

Art No. 156-101-10

Promo price: **55.90 €\***

Suggested retail price: ~~70.00 €\*~~

Standard accessories:

### Micrometer Setting Standard

Length: 275mm

Art No. 167-111

Suggested retail price: **69.00 €\***

