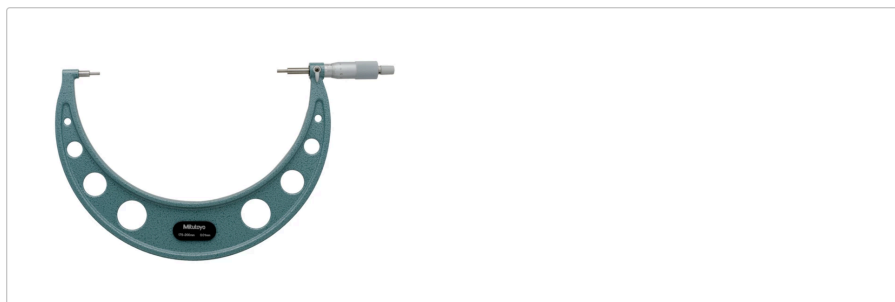


Spline Micrometer

Item number: 111-122

Images



Description

This Spline Micrometer makes it easy for you to measure grooves and shaped parts.

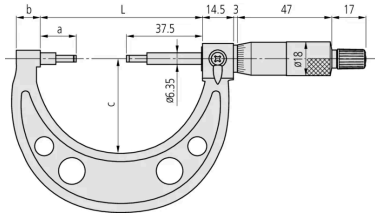
It offers you the following benefits:

- Stepped measuring surfaces.
- Suitable for measuring grooves, splined shafts, recesses, shaped parts, etc.

Features

Digital/Analog:	Analog
Delivered:	Including box, spanner, setting standard
Inch-Metric:	Metric
Range:	175 - 200 mm
Graduation:	0,01 mm
Max. Permissible Error J MPE:	±5 µm
Flatness:	0,3 µm
Parallelism:	4 µm
Measuring face:	Carbide-tipped, micro-lap finish, stepped
Anvil / Spindle:	Type A, D=3 mm
Measuring spindle:	With spindle lock, ø6,35 mm, spindle pitch 0,5 mm
Scale:	Thimble and sleeve satin chrome finish, ø18 mm
Measuring force:	5 - 10 N
Mass:	1040 g

Dimensions

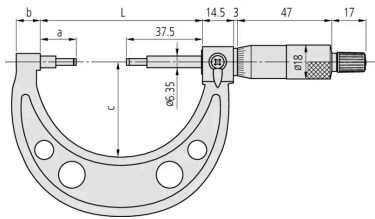


L: 233.7 mm

a: 21.7 mm

b: 16.8 mm

c: 130 mm

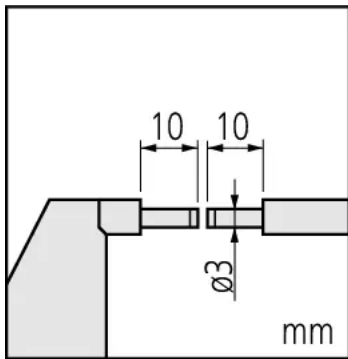


L: 233.7 mm

a: 21.7 mm

b: 16.8 mm

c: 130 mm



L: 233.7 mm

a: 21.7 mm

b: 16.8 mm

c: 130 mm

Accessories

Optional accessories:



Micrometer Stand, Adjustable Angle Type

for Micrometer 0-100mm/0-4"

Art No. 156-101-10

Promo price: **55.90 €***

Suggested retail price: ~~70.00 €*~~

Standard accessories:

Micrometer Setting Standard

Length: 175mm

Art No. 167-107

Suggested retail price: **45.00 €***

