

Spline Micrometer

Item number: 111-121

Images



Description

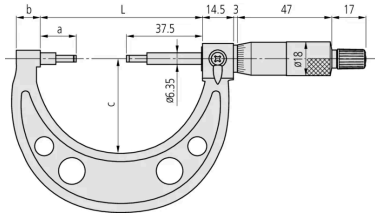
This Spline Micrometer makes it easy for you to measure grooves and shaped parts. It offers you the following benefits:

- Stepped measuring surfaces.
- Suitable for measuring grooves, splined shafts, recesses, shaped parts, etc.

Features

Digital/Analog:	Analog
Delivered:	Including box, spanner, setting standard
Inch-Metric:	Metric
Range:	150 - 175 mm
Graduation:	0,01 mm
Max. Permissible Error J MPE:	$\pm 5 \mu\text{m}$
Flatness:	$0,3 \mu\text{m}$
Parallelism:	$3 \mu\text{m}$
Measuring face:	Carbide-tipped, micro-lap finish, stepped
Anvil / Spindle:	Type A, D=3 mm
Measuring spindle:	With spindle lock, $\varnothing 6,35$ mm, spindle pitch 0,5 mm
Scale:	Thimble and sleeve satin chrome finish, $\varnothing 18$ mm
Measuring force:	5 - 10 N
Mass:	900 g

Dimensions

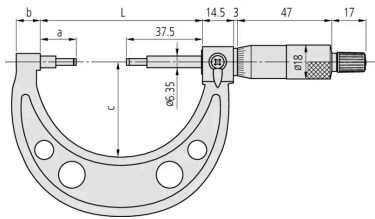


L: 208.3 mm

a: 21.3 mm

b: 18.2 mm

c: 118 mm

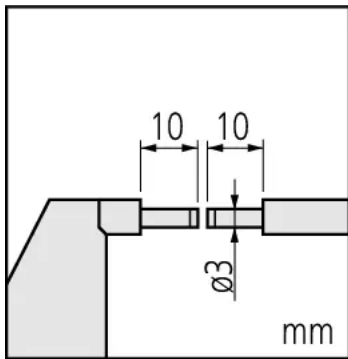


L: 208.3 mm

a: 21.3 mm

b: 18.2 mm

c: 118 mm



L: 208.3 mm

a: 21.3 mm

b: 18.2 mm

c: 118 mm

Accessories

Optional accessories:



Micrometer Stand, Adjustable Angle Type

for Micrometer 0-100mm/0-4"

Art No. 156-101-10

Promo price: **55.90 €***

Suggested retail price: ~~70.00 €*~~

Standard accessories:

Micrometer Setting Standard

Length: 150mm

Art No. 167-106

Suggested retail price: **43.00 €***

