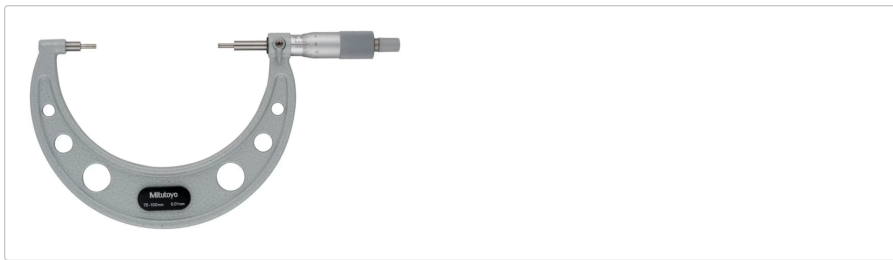


## Spline Micrometer

Item number: 111-118

### Images



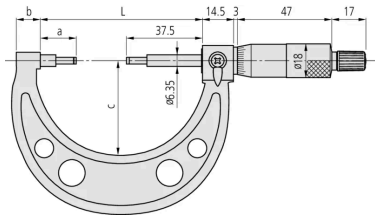
### Description

A Mitutoyo non-digital micrometer provided with a spindle and anvil reduced in diameter to enable measurement within slotted features, such as keyways. A ratchet stop guarantees repeatable measurement.

### Features

<b>Digital/Analog:</b>	Analog
<b>Delivered:</b>	Including box, spanner, setting standard
<b>Inch-Metric:</b>	Metric
<b>Range:</b>	75 - 100 mm
<b>Graduation:</b>	0,01 mm
<b>Max. Permissible Error J MPE:</b>	±4 μm
<b>Flatness:</b>	0,3 μm
<b>Parallelism:</b>	3 μm
<b>Measuring face:</b>	Carbide-tipped, micro-lap finish, stepped
<b>Anvil / Spindle:</b>	Type A, D=3 mm
<b>Measuring spindle:</b>	With spindle lock, ø6,35 mm, spindle pitch 0,5 mm
<b>Scale:</b>	Thimble and sleeve satin chrome finish, ø18 mm
<b>Measuring force:</b>	5 - 10 N
<b>Mass:</b>	500 g

### Dimensions

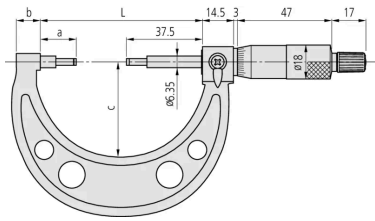


**L:** 132.3 mm

**a:** 20.3 mm

**b:** 16.7 mm

**c:** 79 mm

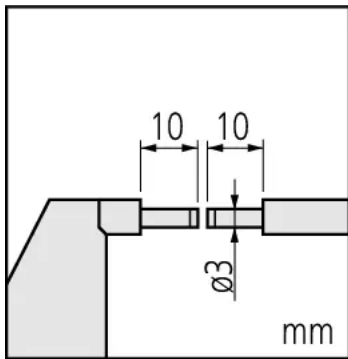


**L:** 132.3 mm

**a:** 20.3 mm

**b:** 16.7 mm

**c:** 79 mm



**L:** 132.3 mm

**a:** 20.3 mm

**b:** 16.7 mm

**c:** 79 mm

## Accessories

### Optional accessories:



### Micrometer Stand, Adjustable Angle Type

for Micrometer 0-100mm/0-4"

Art No. 156-101-10

Promo price: **55.90 €\***

Suggested retail price: ~~70.00 €\*~~

### Standard accessories:



### Micrometer Setting Standard

Length: 75mm

Art No. 167-103

Suggested retail price: 37.00 €\*