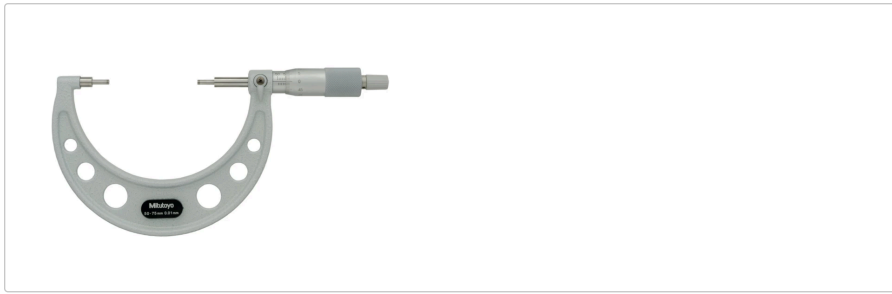


Spline Micrometer

Item number: 111-117

Images



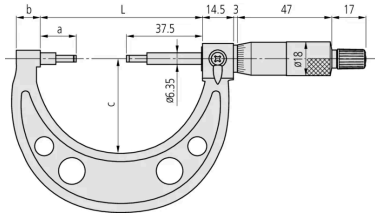
Description

A Mitutoyo non-digital micrometer provided with a spindle and anvil reduced in diameter to enable measurement within slotted features, such as keyways. A ratchet stop guarantees repeatable measurement.

Features

Digital/Analog:	Analog
Delivered:	Including box, spanner, setting standard
Inch-Metric:	Metric
Range:	50 - 75 mm
Graduation:	0,01 mm
Max. Permissible Error J MPE:	$\pm 3 \mu\text{m}$
Flatness:	0,3 μm
Parallelism:	2 μm
Measuring face:	Carbide-tipped, micro-lap finish, stepped
Anvil / Spindle:	Type A, D=3 mm
Measuring spindle:	With spindle lock, $\varnothing 6,35$ mm, spindle pitch 0,5 mm
Scale:	Thimble and sleeve satin chrome finish, $\varnothing 18$ mm
Measuring force:	5 - 10 N
Mass:	370 g

Dimensions

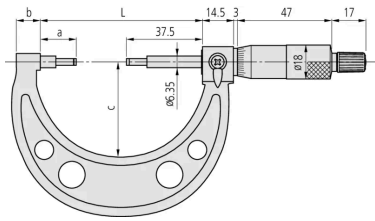


L: 104.5 mm

a: 17.8 mm

b: 14 mm

c: 60 mm

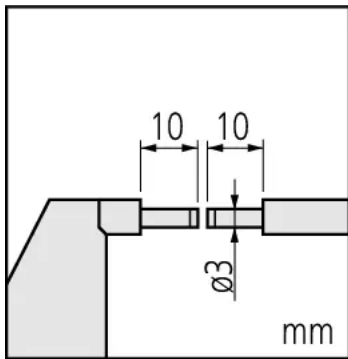


L: 104.5 mm

a: 17.8 mm

b: 14 mm

c: 60 mm



L: 104.5 mm

a: 17.8 mm

b: 14 mm

c: 60 mm

Accessories

Optional accessories:



Micrometer Stand, Adjustable Angle Type

for Micrometer 0-100mm/0-4"

Art No. 156-101-10

Promo price: **55.90 €***

Suggested retail price: ~~70.00 €*~~

Standard accessories:



Micrometer Setting Standard

Length: 50mm

Art No. 167-102

Suggested retail price: **36.00 €***