

## Dial Gauge, Flat Back, ISO Type

Item number: 1041AB

### Images



### Description

#### Compact Type 1 and 3,5 mm Range Small Diameter - Metric

This is a compact, dial indicator with a bezel  $\varnothing$  40 mm. It offers you the following benefits:

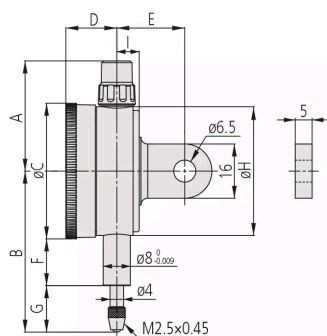
- It is ideal for use in applications where space is limited.

### Features

<b>Digital/Analog:</b>	Analog
<b>Inch-Metric:</b>	Metric
<b>Range:</b>	3.5 mm
<b>Range per rev.:</b>	0,5 mm
<b>Dial reading:</b>	0-25-0
<b>Delivered:</b>	With certificate of inspection
<b>Graduation:</b>	0.01 mm

<b>MPE any 1/10 revolution:</b>	5 μm
<b>MPE any 1/2 revolution:</b>	8 μm
<b>MPE any 1 revolution:</b>	9 μm
<b>MPE measuring range:</b>	12 μm
<b>H MPE (Hysteresis):</b>	3 μm
<b>R MPE (Repeatability):</b>	3 μm
<b>Measuring force:</b>	0,4-1,4 N
<b>Stem:</b>	8 mm
<b>Contact point:</b>	Carbide tipped, thread: M 2.5 x 0.45 mm
<b>Balanced dial:</b>	Yes
<b>Double scale spacing:</b>	Yes
<b>Type:</b>	EN ISO Standard
<b>Mass:</b>	70 g

## Dimensions



**A:** 32.5 mm

**B:** 46 mm

**C:** 40 mm

**D:** 15 mm

**E:** 20 mm

**F:** 13.8 mm

**G:** 12.2 mm

**H:** 38 mm

**I:** 6.6 mm

## Accessories

Optional accessories:



### Limit Hands (Green) 2 pcs.

Dial Indicator Series 1, Test Indicator

Art No. 21AAB363

Price on application



## Bezel Clamp for Dial Gauge

Series 1

Art No. 21RZA149

Price on application

## Spindle Lifting Lever

for S-Type and A-Type Serie 1

Art No. 902100

Price on application



## Spindle Lifting Cable

for Indicator, L=500mm

Art No. 21JZA295

Price on application



## Spindle Lifting Cable with Auto Stop

for Indicator, L=300mm

Art No. 21JZA301

Price on application



## Spare parts

Consumable spares:



**Contact Element Ball Point,  
M2,5x0,45**

7,3mm Length, Carbide, Metric

Art No. 901312

Suggested retail price: 5.00 €\*  

---