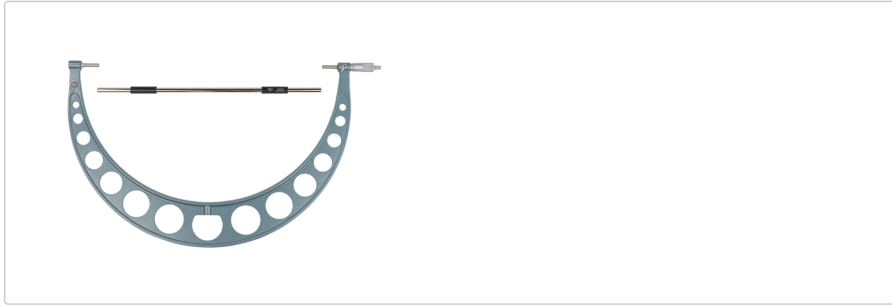


# Outside Micrometer Economy Design

Item number: 103-196

## Images



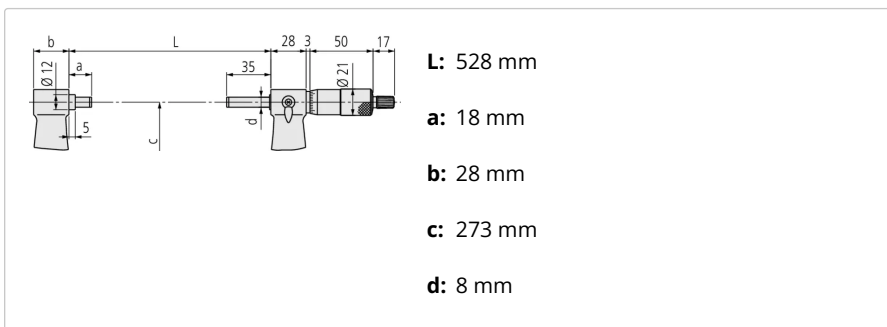
## Description

A Mitutoyo basic, cost effective, non-digital micrometer with a ratchet stop to guarantee repeatable measurement.

## Features

<b>Digital/Analog:</b>	Analog
<b>Delivered:</b>	Including box, key, setting standard
<b>Inch-Metric:</b>	Inch
<b>Range:</b>	19 - 20 "
<b>Graduation:</b>	0,001"
<b>Max. Permissible Error J MPE:</b>	±0.0004"
<b>Flatness:</b>	0,00004"
<b>Parallelism:</b>	0.00028"
<b>Measuring face:</b>	Carbide-tipped, micro-lap finish
<b>Measuring spindle:</b>	With spindle lock, $\varnothing 6,35$ mm ( $\leq 300$ mm) $\varnothing 8$ mm ( $> 300$ mm) , spindle pitch 0,5 mm
<b>Scale:</b>	Thimble and sleeve satin chrome finish, $\varnothing 21$ mm
<b>Measuring force:</b>	10 - 15 N
<b>Mass:</b>	3450 g

## Dimensions



## Accessories

Optional accessories:



## Micrometer Stand

for Micrometer 300-1000mm/12-40"

Art No. 156-103

Suggested retail price: 1,183.00 €\*  

---

Standard accessories:

---

## Micrometer Setting Standard

Length: 19"

Art No. 167-159

Suggested retail price: 149.00 €\*  

---

