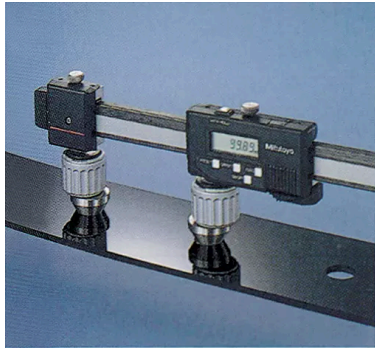


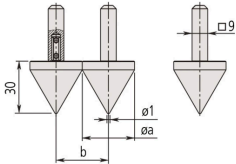
## Measuring Jaw, Series 552

Item number: 07CZA060

**Images**



**Centerline Type**



**Centerline Type**

Order No.	Components	a	b
07CZA057	07CZA039 x 2pcs.	30 mm	30 mm
07CZA060	07CZA047 x 2pcs.	1.2 in	1.2 in





## Description

Inserts for bore measuring (pair)

## Features

**Type:** Centreline (pair)

**Mass:** 119,6 g

## Dimensions

