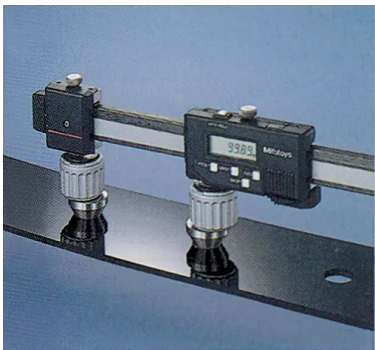


Measuring Jaw, Series 552

Item number: 07CZA057

Images



Description

Inserts for bore measuring (pair)

Features

Type: Centreline (pair)

Mass: 119,6 g

Dimensions

