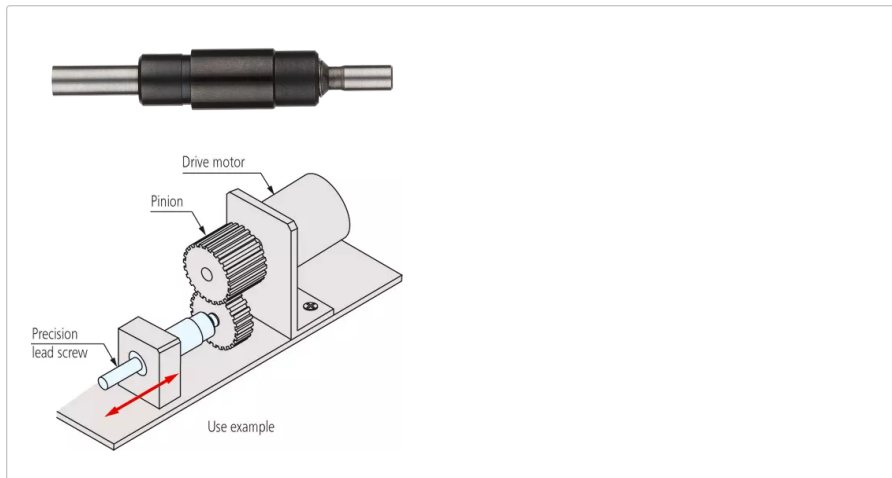


Precision Lead Screw

Item number: 04AZA160

Images



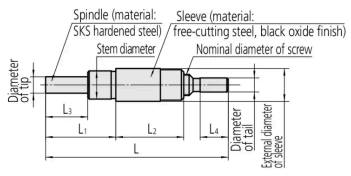
Description

- Mitutoyo manufactures simple and less expensive precision leadscrews for precise positioning mechanisms and fine-feed mechanisms.
- Mitutoyo also manufactures leadscrews with special specifications, such as 0,25 mm pitch, feed pitch and with dimensions and form to meet customer's requirements.
- Main applications:
 - Precision feed stages
 - Fine adjustment of optical elements (mirrors, prisms)
 - Fiber optic centering devices
 - Various assembly and adjustment jigs

Features

Range:	6.5 mm
Spindle pitch:	0.5 mm
Stem Ø:	ø6 mm
Measuring face:	Hardened
Measuring spindle:	ø3.5 mm
Screw Nominal Diameter:	M4.5 x 0.5
Sleeve Diameter:	ø7 mm
Tail diameter:	ø3 mm
Mass:	10 g

Dimensions



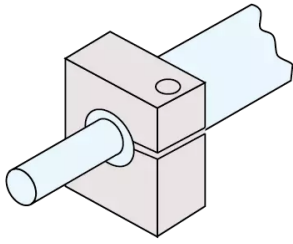
L: 39 mm

L1: 15 mm

L2: 14.5 mm

L3: 9 mm

L4: 6 mm



L: 39 mm

L1: 15 mm

L2: 14.5 mm

L3: 9 mm

L4: 6 mm