

# IEC Miniature Fuse Holders

protected PU PTF

## FUSE HOLDERS

### MINIATURE FUSE BASES & HOLDERS



Mersen fuseholders for 5x20 miniature fuses combine robustness and safety, thanks to their compliance with IEC 60127-6 and their design for panel or PCB mounting. Their IP40 protection rating and shock resistance make them a reliable solution for use in a variety of environments. Their maximum contact resistance of 5 to 10 mΩ ensures optimum electrical performance, and their material meets UL94V0 flammability requirements for enhanced safety in the event of fire exposure.

### TECHNICAL DATA OVERVIEW

Voltage	250VAC
Amper (A)	10 A
IEC resistance voltage	3 kV
Frequency	50Hz / 60Hz
Contact resistance	5/10 mΩ MAX
Mounting	Panel and Printed circuit board mounting
Product Size	For minitaure fuses size 5x20
Number of poles	1-Pole

### FEATURES & BENEFITS

- Protection class: I o II
- Index of protection: IP40
- Contact resistance: 5/10 mΩ MAX
- Flammability rating: UL94V0
- Operating temperature : -30°C to +120°C
- Compliance: lead-free and ROHS

### APPLICATIONS

- For miniature fuse 5x20
- Printed circuit board mounting
- Panel mounting

### STANDARDS

- IEC 60127-6



## PRODUCT RANGE



MIPUPTF30

### IEC Miniature Fuse Holders - Panel Mount FH PU PTF30 /10

Catalog number	Item number	Designation	Rated voltage	Design	Package
MIPUPTF30	T204947	PU PTF 30	250 V	Screw cap	10

### IEC Miniature Fuse Holders - Panel mounting FH PU PTF35 /10

Catalog number	Item number	Designation	Rated voltage	Design	Package
MIPUPTF35	V204948	PU PTF 35	250 V	Screw cap	10

### IEC Miniature Fuse Holders - Panel mounting FH PU PTF40 /10

Catalog number	Item number	Designation	Rated voltage	Design	Package
MIPUPTF40	W204949	PU PTF 40	250 V	Screw cap	10

### IEC Miniature Fuse Holders - PCB mounting FH PU PTF45 /10

Catalog number	Item number	Designation	Rated voltage	Design	Package
MIPUPTF45	X204950	PU PTF 45	250 V	Bayonet cap	10



MIPUPTF50

### IEC Miniature Fuse Holders - PCB mounting FH PU PTF50 /10

Catalog number	Item number	Designation	Rated voltage	Design	Package
MIPUPTF50	Y204951	PU PTF 50	250 V	Bayonet cap	10



MIPUPTF70

### IEC Miniature Fuse Holders - Panel mounting FH PU PTF70 /10

Catalog number	Item number	Designation	Rated voltage	Design	Package
MIPUPTF70	A204953	PU PTF 70	250 V	Bayonet cap	10

### IEC Miniature Fuse Holders - PCB mounting FH PU PTF45/1000

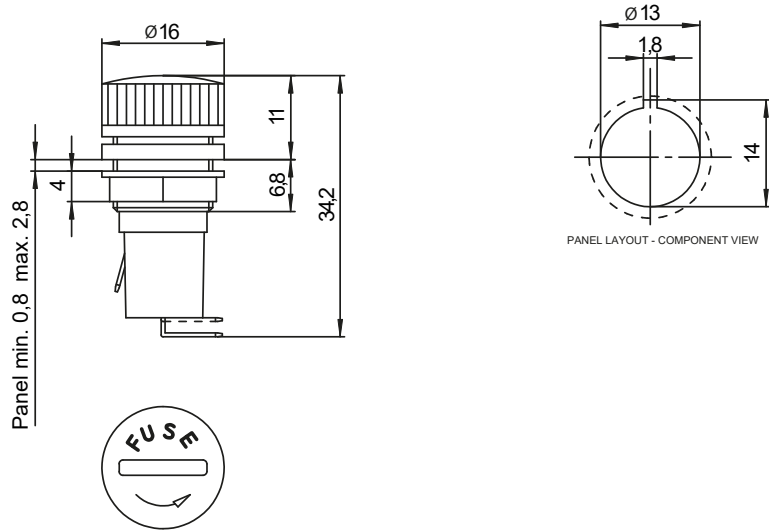
Catalog number	Item number	Designation	Rated voltage	Design	Package
MIPUPTF45/1000	X204950T	PU PTF 45/1000	250 V	Bayonet cap	1000

# IEC Miniature Fuse Holders

protected PU PTF

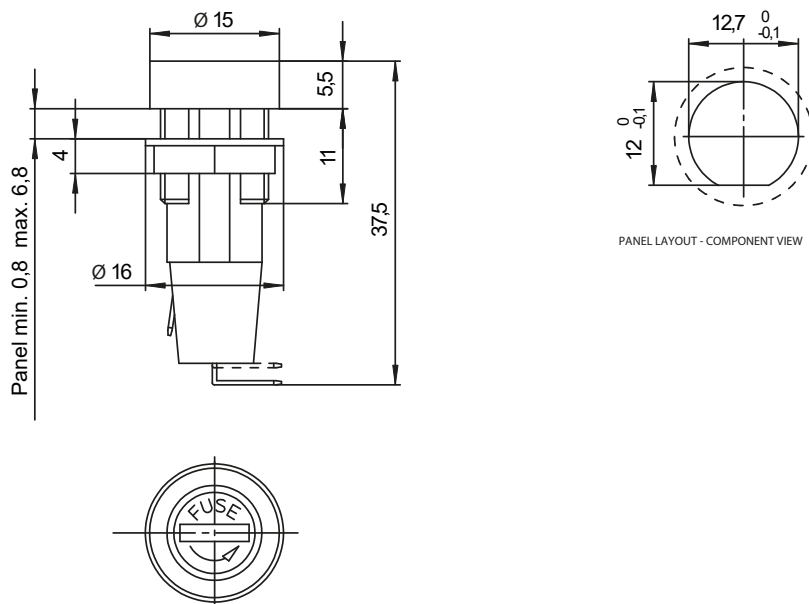
## DIMENSIONS

### T204947 - PU PTF 30



Dimensions in mm

### V204948 - PU PTF 35



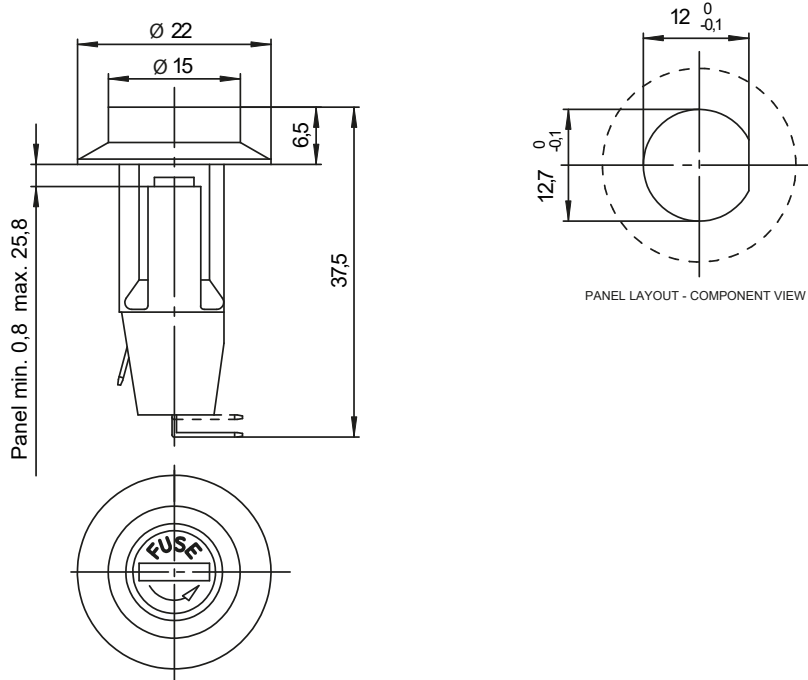
Dimensions in mm

# IEC Miniature Fuse Holders

protected PU PTF

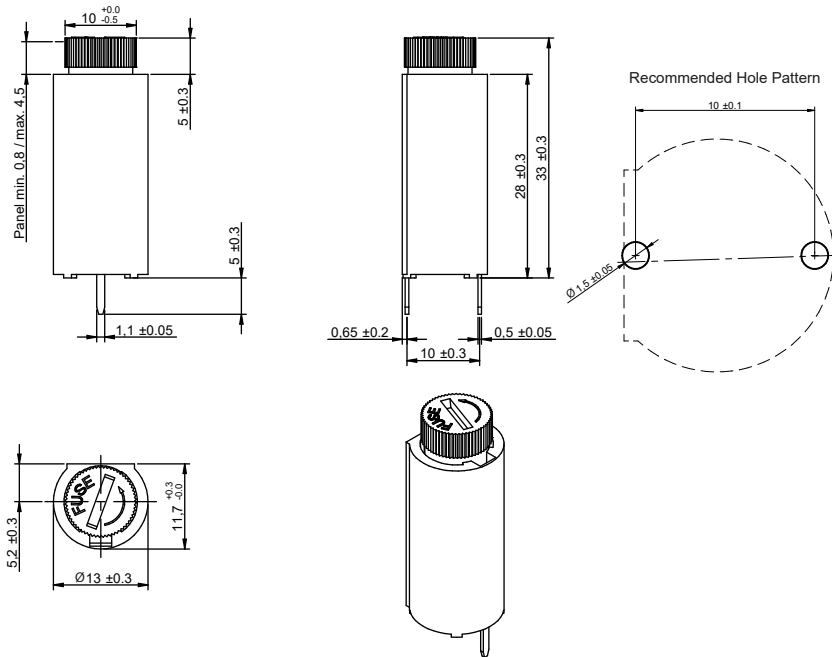
## DIMENSIONS

### W204949 - PU PTF 40



Dimensions in mm

### X204950 - PU PTF 45



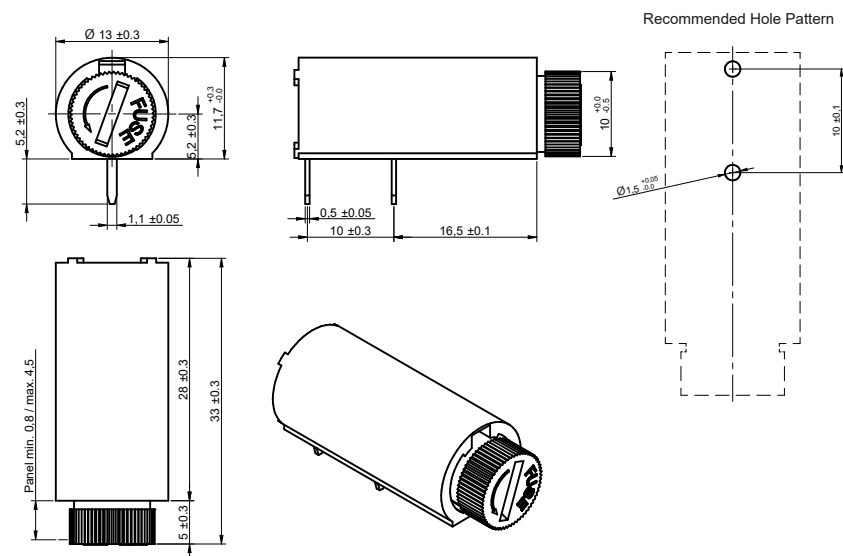
Dimensions in mm

# IEC Miniature Fuse Holders

protected PU PTF

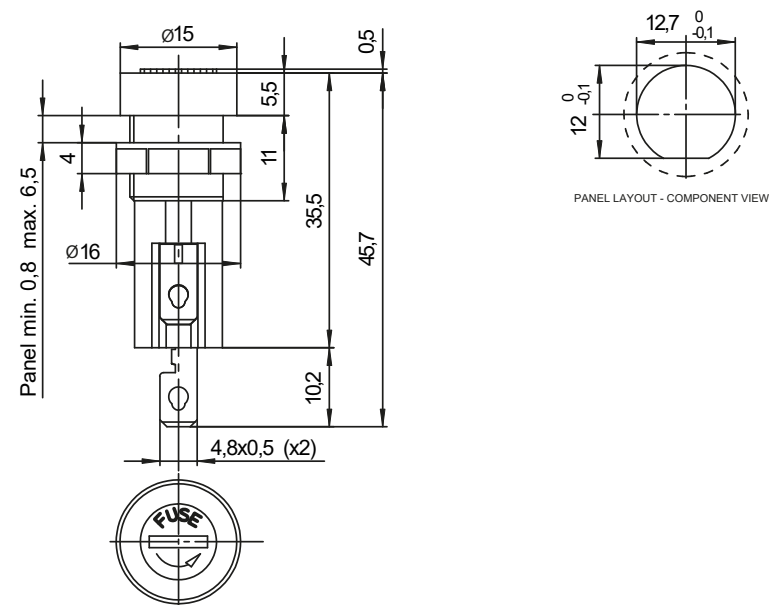
## DIMENSIONS

### Y204951 - PU PTF 50



Dimensions in mm

### A204953 - PU PTF 70



Dimensions in mm

## TECHNICAL CHARACTERISTICS

### Fuse-holder materials open

Contact cover	Fuse contact	Spring	Insulation
Copper alloy	Phosphor bronze	Stainless steel	PA66