

# IEC Miniature Fuse Holders 6.32

## FUSE HOLDERS

### MINIATURE FUSE BASES & HOLDERS



Mersen's range of miniature fuse holders and disconnectors combine performance, safety and reliability. These products comply with IEC 947-3 to guarantee optimum protection, and are designed for easy DIN rail mounting. Their design ensures effective protection against contact with live parts, with an IP 2X degree of protection when the device is connected and closed. Options such as a padlocking device and LED blown fuse indication are available on request.

The range of miniature fuseholders offers several mounting options:

- CC type: Clamp for cable up to 10mm<sup>2</sup>.
- LL type: 6.3mm clips
- LC type: upstream clips and downstream clamp

## TECHNICAL DATA OVERVIEW

Voltage	250VAC
Amper (A)	32 A
Breaking capacity	4,7KA
Product Size	For minitaure fuses size 6,3x32
Number of poles	1-Pole

## FEATURES & BENEFITS

- IEC 947-3 compliant
- Mounting on 35 mm symmetrical or asymmetrical DIN rail
- Protection against contact with live parts
- Degree of protection: IP 2X for disconnectors (when connected and closed)
- Silver-plated clips with elastic clamping
- Self-extinguishing material class VO to UL94
- Padlocking device, blown fuse indication by L.E.D. on request

## APPLICATIONS

- For 6x32 fuses

## STANDARDS

- IEC 60947-3



# IEC Miniature Fuse Holders 6.32

## PRODUCT RANGE



MIS1CC6

### IEC Miniature Fuse Holders 6.32 - Support without handle /10<sup>1 2</sup>

Catalog number	Item number	Designation	Mounting and connections	Package	Weight
MIS1LC6	J091939	SI 6.32 LC	Upstream clips and downstream clamps - without handle	10	30 g
MIS1CC6	M091482	SI 6.32 CC	Hose clamp - without handle	10	30 g
MIS1LL6	Z091746	SI 6.32 LL	6.3 mm clips - without handle	10	30 g

<sup>1</sup>No protection against touching energized terminals and contacts

<sup>2</sup>Mounting: screwed directly onto base or clipped onto DIN rail adapter (see accessories)

### IEC Miniature Fuse Holders 6.32 - without lock/10<sup>1</sup>

Catalog number	Item number	Designation	Mounting and connections	Package	Weight
MIS1LL6P	E091728	SI 6.32 LL PRE	6.3 mm clips - without lock	10	38 g
MIS1C6P	N091483	SI 6.32 CC PRE	Hose clamp - without lock	10	38 g
MIS1LC6P	R091946	SI 6.32 LC PRE	Upstream clips and downstream clamp - without lock	10	38 g

<sup>1</sup>Mounting: screwed directly onto base or clipped onto DIN rail adapter (see accessories)

### IEC Miniature Fuse Holders 6.32 - without lock with cage terminals/10<sup>1</sup>

Catalog number	Item number	Designation	Mounting and connections	Package	Weight
MIS1C6PBSMC	G082990	SI 6.32 CC PRE BS M	Cage terminals with positive action to pull out the fuse	10	40 g

<sup>1</sup>Mounting: screwed directly onto base or clipped onto DIN rail adapter (see accessories)



MIS1C6PV

### IEC Miniature fuseholders 6.32 - with locking/10<sup>1</sup>

Catalog number	Item number	Designation	Mounting and connections	Package	Weight
MIS1LL6PV	Q091945	SI 6.32 LL PRE V	6.3 mm clips with lock	10	40 g
MIS1C6PV	M091942	SI 6.32 PRE V	Hose clamp with lock	10	40 g
MIS1LC6PV	W091973	SI 6.32 LC PRE V	Upstream clips and downstream clamp with lock	10	40 g

<sup>1</sup>Mounting: screwed directly onto base or clipped onto DIN rail adapter (see accessories)

### IEC Miniature Fuse Holders 6.32 - with indicator/5<sup>1</sup>

Catalog number	Item number	Designation	Maximum circuit voltage	Mounting and connections	Package	Weight
MIS1C6PD3	F091982	SI 6.32 CC PRE D 30	30VDC	Hose clamp	5	40 g
MIS1LC6PD3	A092046	SI 6.32 LC PRE D 30	30VAC	Upstream clips and downstream clamps	5	40 g
MIS1LC6PD5	B092047	SI 6.32 LC PRE D 50	50VAC	Upstream clips and downstream clamps	5	40 g
MIS1LC6PD12.5	C092048	SI 6.32 LC PRE D 125	125VAC	Upstream clips and downstream clamps	5	40 g
MIS1C6PD25	J091985	SI 6.32 CC PRE D 250	250VDC	Hose clamp	5	40 g
MIS1LC6PD25	D092049	SI 6.32 LC PRE D 250	250VAC	Upstream clips and downstream clamps	5	40 g
MIS1C6P2D3	K091986	SI 6.32 CC PRE 2D 30	30VDC	Hose clamp	5	40 g
MIS1LC6P2D3	E092050	SI 6.32 LC PRE 2D 30	30VAC	Upstream clips and downstream clamps	5	40 g
MIS1C6P2D5	L091987	SI 6.32 CC PRE 2D 50	50VDC	Hose clamp	5	40 g
MIS1LC6P2D5	F092051	SI 6.32 LC PRE 2D 50	50VAC	Upstream clips and downstream clamps	5	40 g
MIS1C6P2D12.5	M091988	SI 6.32 CC PRE 2D 125	125VDC	Hose clamp	5	40 g
MIS1LC6P2D25	H092053	SI 6.32 LC PRE 2D 250	250VDC	Upstream clips and downstream clamps	5	40 g

<sup>1</sup>Mounting: screwed directly onto base or clipped onto DIN rail adapter (see accessories)

# IEC Miniature Fuse Holders 6.32

## PRODUCT RANGE

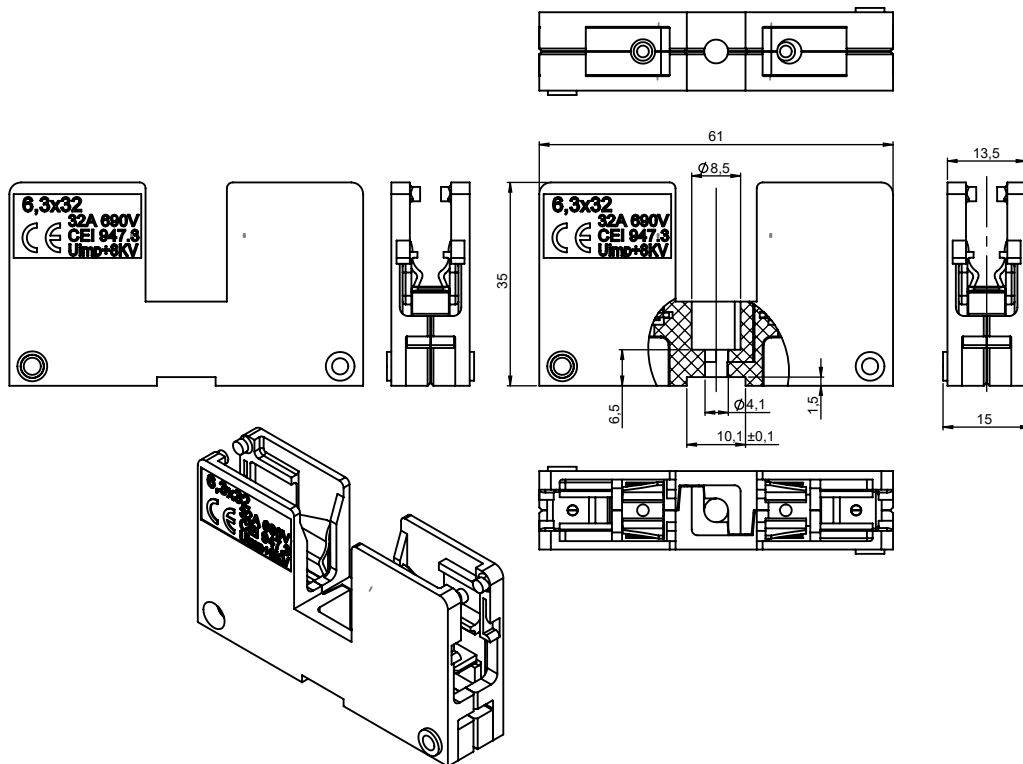
### IEC Miniature fuseholders 6.32 - with neutral/10<sup>1</sup>

Catalog number	Item number	Designation	Mounting and connections	Package	Weight
MIS1LL6P+N	X092089	SI 6.32 LL PRE + NEUTRE	6.3 mm clips	10	45 g
MIS1C6P+N	F091982	SI 6.32 CC PRE + NEUTRE	Hose clamp	10	45 g
MIS1LC6P+N	X085879	SI 6.32 LC PRE + NEUTRE	Upstream clips and downstream clamps	10	45 g

<sup>1</sup>Mounting: screwed directly onto base or clipped onto DIN rail adapter (see accessories)

## DIMENSIONS

### 046820 SI 6.32 LL



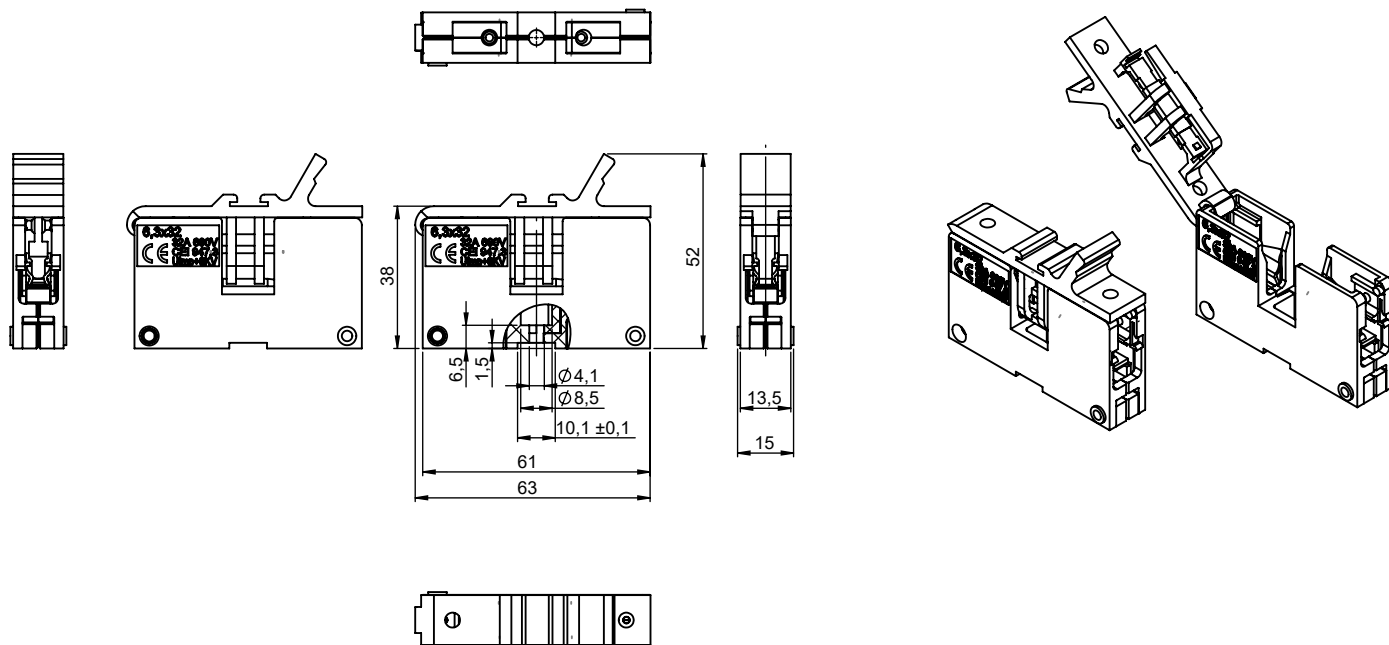
Article Number	Designation
M091482	SI 6.32 CC
Z091746	SI 6.32 LL
J091939	SI 6.32 LC

Dimensions in mm

# IEC Miniature Fuse Holders 6.32

## DIMENSIONS

### 046858 SI 6.32 LL PRE



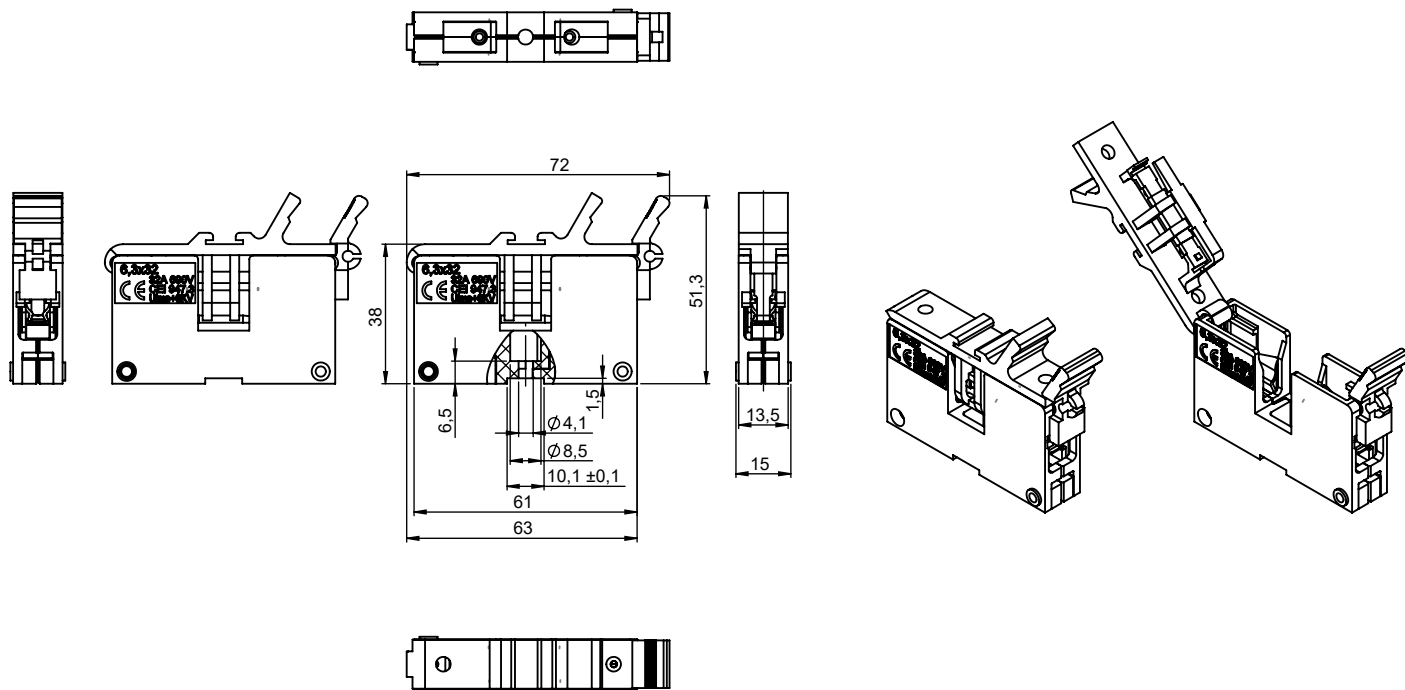
Article Number	Designation
R091946	SI 6.32 LC PRE
E091728	SI 6.32 LL PRE
W092088	SI 6.32 CC PRE + NEUTRE
X092089	SI 6.32 LL PRE + NEUTRE
X085879	SI 6.32 LC PRE + NEUTRE

Dimensions in mm

# IEC Miniature Fuse Holders 6.32

## DIMENSIONS

### 046848 SI 6.32 LL PRE V



Article Number	Designation
W091973	SI 6.32 LC PRE V
Q091945	SI 6.32 LL PRE V

Dimensions in mm