

# Modulostar® CMC10

## FUSE HOLDERS, FUSE BASES AND SUPPORTS

### IEC CYLINDRICAL FUSE HOLDERS



The innovative and comprehensive Modulostar® range of Mersen fuse-holders. Modular fuse-holders are finger-safe under IEC standards to an IP20 grade of protection, including fuse changing (with the flick of a finger). Modular fuse-holders are available in 1, 2, 3 or 4 poles, with or without visual blown fuse indicator. Multi-pole units can also be field assembled by ordering pin-ties assembly kit. Modulostar® range is made of tough and durable thermoplastic or thermoset material.

### TECHNICAL DATA OVERVIEW

Voltage AC	690 VAC
Voltage DC	690 VDC
Amper (A)	32 A
SCCR	200kA
Mounting	Installation on to DIN rails to EN 60715
Product Size	For cylindrical fuse links 10x38 aM, gG and 10x38 Mersen Protistor®
Number of poles	1 to 4 poles

### FEATURES & BENEFITS

- Modular design
- Compact design for space saving
- DIN rail mounting
- Degree of protection: IP20
- Finger safe
- Easy access to the fuse
- Lockable without accessory
- Sealable in closed & open position
- Optional visual blown fuse indicator
- Multi-pole assembly kit available
- Plastic material UL94V2 mini
- Plastic material R22HL2 for railway application
- Flame retardant materials with glow wire flammability index to 960°C
- Shock and vibration tested for marine and railway applications

### APPLICATIONS

- All circuits up to 690V for protection of motors, transformers, low voltage distribution, control circuits, drive protection, metering
- Non-load operation

### STANDARDS

- IEC 60269-2 and IEC 60947-3 Compliance
- RoHS, Reach compliant
- Marine certificates



## PRODUCT RANGE



CMC102



CMC103N

### Modulostar® compact fuse-holders for 10.3x38.1 fuse-links, without indicator

Catalog number	Item number	Number of poles/phases	Design	Package	Weight
CMC101	P1062705	1	CMC10 single pole	12	45 g
CMC101N	G1062698	1 + N	CMC10 single pole + neutral conductor	6	95 g
CMC102	H1062699	2	CMC10 double pole	6	92 g
CMC103	E1062696	3	CMC10 triple pole	4	0.14 kg
CMC103N	Y1062690	3 + N	CMC10 triple pole + neutral conductor	3	0.19 kg
CMC104	Z1062691	4	CMC10 quadruple pole	3	0.19 kg
CMC810N	W1062688	N	CMC8 CMC10 neutral conductor	12	48 g

### Modulostar® compact fuse-holders for 10.3x38.1 fuse-links, with standard indicator



CMC1011



CMC1031

Catalog number	Item number	Number of poles/phases	Design	Voltage limit for blown fuse indicator	Package	Weight
CMC1011	S1062708	1	CMC10 single pole	-	12	46 g
CMC1011N	J1062700	1 + N	CMC10 single pole + neutral conductor	-	6	95 g
CMC1021	L1062702	2	CMC10 double pole	-	6	93 g
CMC1031	F1062697	3	CMC10 triple pole	-	4	0.14 kg
CMC1031N	A1062692	3 + N	CMC10 triple pole + neutral conductor	-	3	0.19 kg
CMC1041	B1062693	4	CMC10 quadruple pole	-	3	0.19 kg
-	on demand	-	Version with special indicator	Standard: 50V-700V AC/DC Very low: 20V-50V AC/DC	-	-

### Modulostar® compact fuse-holders for 10.3x38.1 fuse-links 1M=1phase + neutral



CMC101N1M

Catalog number	Item number	Number of poles/phases	Design	Package	Weight
CMC101N1M	R1207676	1	CMC10 1p+N, 1 module	12	55.3 g

### Modulostar® compact fuse-holders for 10.3x38.3 fuse-links 3M=3phases + neutral



CMC103N3M

Catalog number	Item number	Number of poles/phases	Design	Package	Weight
CMC103N3M	K1211511	3 + N	CMC10 3p+N, 3 modules	4	0.17 kg

## TECHNICAL DATA

	CMC10	CMC10I	CMC10I1M	CMC10I3M
Size	10x38	10x38	10x38	10x38
Number of poles/phases	1, 1+N, 2, 3, 3+N, 4	1, 1+N, 2, 3, 3+N, 4	1 pole : 1 phase + neutral	3 poles : 3 phases + neutral
Conventional free air thermal current with fuse links $I_{th}$	32 A	32 A	32 A	32 A
Max. power dissipation of fuse links $P_n$	3W	3W	3W	3W
Max. power dissipation	4 W	4 W	4 W	12 W
Power dissipation of fuse-holder	0.4 W	0.4 W	0.4 W	0.6 W
Utilisation category	AC20B/DC20B	AC20B/DC20B	AC20B/DC20B	AC20B/DC20B
Rated insulation voltage $U_i$	1000 V	1000 V	1000 V	1000 V
SCCR	200 kA	200 kA	120 kA	120 kA
Rated impulse withstand voltage $U_{imp}$	6 kV	6 kV	6 kV	6 kV
Degree of protection	IP 20	IP 20	IP 20	IP 20
Voltage limit for blown fuse indicator	-	50V to 700VAC/DC	NA	NA
Indication System	-	with indicator	-	-
Operating temperature	-40°C to 70°C with carrier operation -50°C to 90°C without carrier operation			
Storage temperature	-40°C to 70°C	-40°C to 70°C	-40°C to 70°C	-40°C to 70°C
Connection	Max. tightening torque: 2Nm (17.7lbs.-in) Rigid / Stranded wire = 1-16mm <sup>2</sup> (16-6AWG) Max. 2x6mm <sup>2</sup> PZ2 or flat 5.5x1mm screw drivers recommended (max. diameter 6mm)		Max. tightening torque: 2Nm Wire = 1-10mm <sup>2</sup> solid / 1-6 mm <sup>2</sup> stranded Max. 2x6mm <sup>2</sup> PZ2 or flat 5.5x1mm screw drivers recommended (max. diameter 6mm)	
Vibration	Withstand on the 3 main axis*: Sinusoidal vibration testing according to IEC 60068-2-6 2 to 13Hz x= 1 mm peak 13 to 100Hz y= 0.7g peak according to french marine application Random vibration testing according to IEC 61373 Category 1 Class B		-	-
Shock	Shock testing according to IEC 61373 Category 1 Class B Shock testing according to IEC 60068-2-27 15g/11ms/18 shocks		-	-
* for specific usage please contact us				

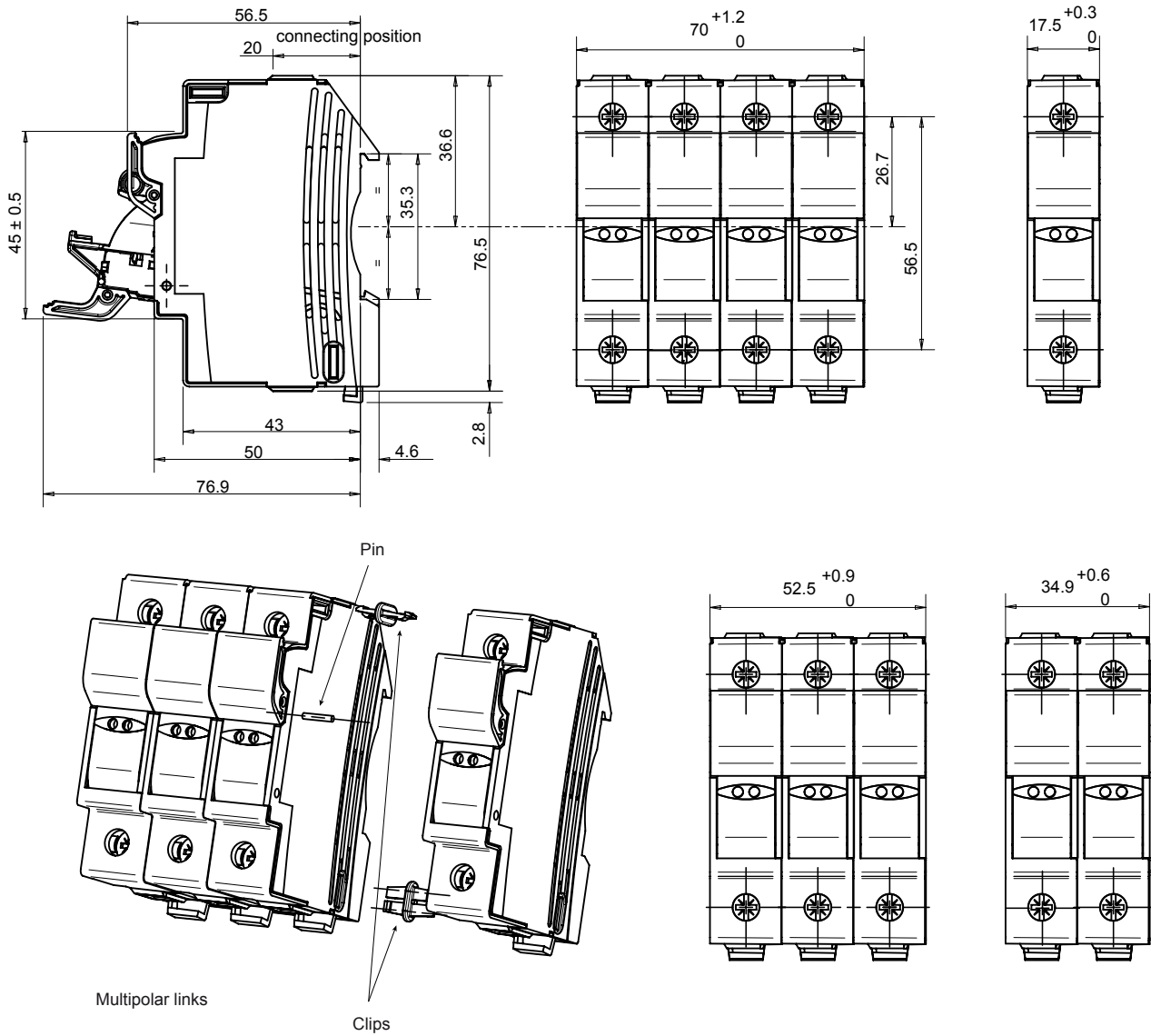
## SPECIFIC USAGE CONDITIONS

Ambient temperature	-40° to 20°C	30°C	40°C	50°C	60°C	70°C	80°C	90°C
Derating factor ( $I_e$ )	1	1	1	0.92	0.83	0.73	0.62	0.48
Humidity	95%	90%	80%	50%	-	-	-	-
Dampness derating	1	0.95	0.90	-	-	-	-	-

No of poles (side by side)	1 to 3	>= 4
Derating factor of current ( $I_{th}$ )	1	0.9

## DIMENSIONS

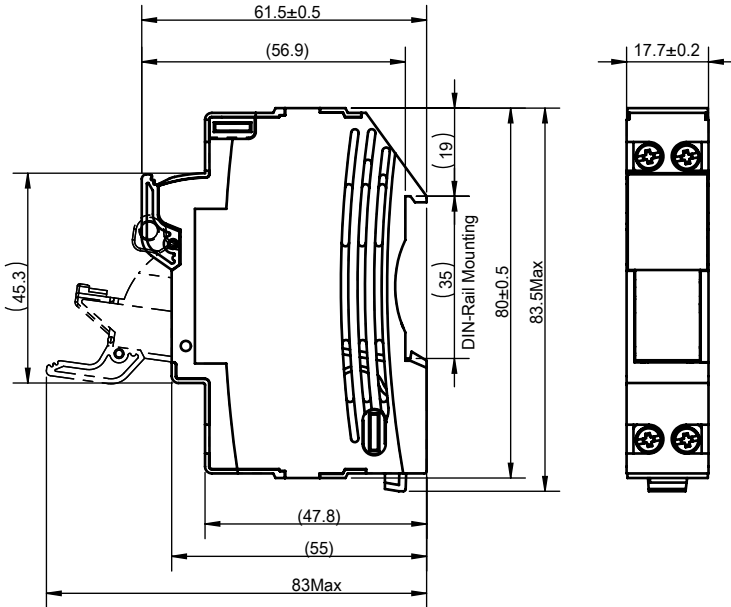
### Modulostar® CMC10 fuse-holders for cylindrical fuse-links class 10x38mm



Dimensions in mm

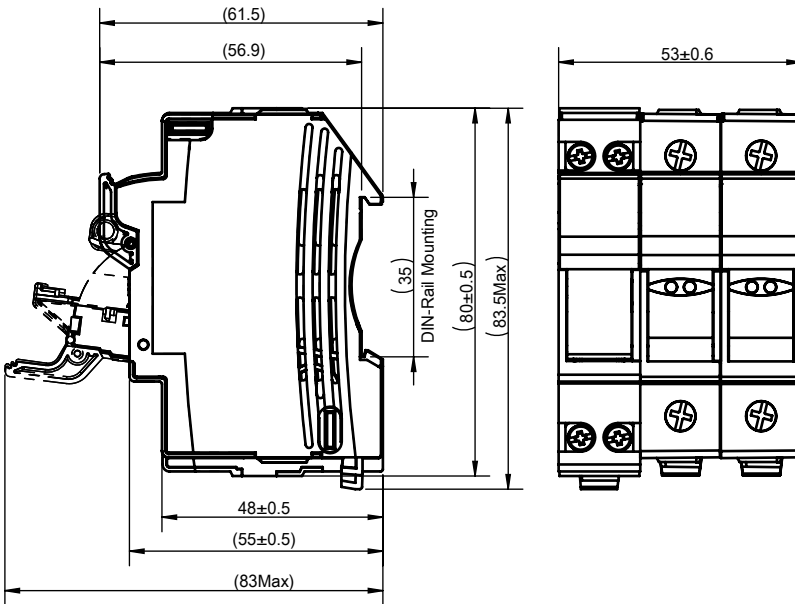
## DIMENSIONS

### Modulostar® compact fuse-holders for 10.3x38.1 fuse-links 1M=1phase + neutral



Dimensions in mm

### Modulostar® compact fuse-holders for 10.3x38.3 fuse-links 3M=3phases + neutral



Dimensions in mm

## ACCESSORIES



CMS810PAK

### Kit for multi phase connection

Catalog number	Item number	Features	Package	Weight
CMS810PAK	Z233725	Links for connection of multipole units	12	0.5 g



LOCK

### Locking devices

Catalog number	Item number	Features	Package	Weight
LOCK	M223525	Padlock	1	0.48 kg



TBB1CL

TBB23A

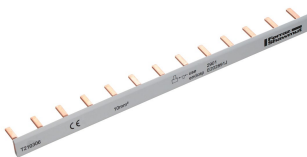
### Power supply

Catalog number	Item number	Application	Features	Package	Weight
TBB1CL	Y1068371	Max. rms current 90A	1 phase lateral incoming power supply	50	10 g
TBB23A	F210317	Max. rms current 90A	2 & 3 phases axial incoming power supply	50	23.3 g
TBB23C	G210318	Max. rms current 90A	2 & 3 phases lateral incoming power supply	50	23.1 g

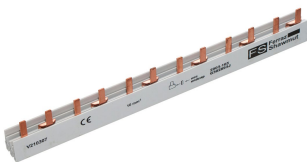


TBB23C

### Wiring bars / Insulated bus bars



CMS810BB1F13



CMS810BB2F6

Catalog number	Item number	Application	Features	Package	Weight
<b>Wiring bars / Insulated Busbars</b>					
CMS810BB1F13	T210306	Max. rms current 63A, for installation of 13 modules	single pole, 10 mm <sup>2</sup> , partition 17,5 mm (distance of poles), peg design, L-shaped	10	33.5 g
CMS810BB2F6	V210307	Max. rms current 63A, for installation of 6 modules	double pole, 10 mm <sup>2</sup> , partition 17,5 mm (distance of poles), peg design, L-shaped	10	80 g
CMS810BB3F4	W210308	Max. rms current 100A, for installation of 4 modules	triple pole, 10 mm <sup>2</sup> , partition 17,5 mm (distance of poles), peg design, L-shaped	10	84 g
CMS810BB4F3	X210309	Max. rms current 100A, for installation of 3 modules	quadruple pole, 10 mm <sup>2</sup> , partition 17,5 mm (distance of poles), peg design, L-shaped	10	0.12 kg