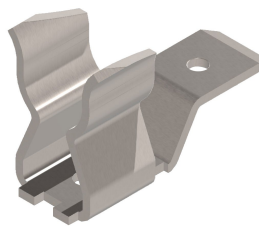


IEC Miniature Fuse Clips

FUSE BASES

MINIATURE FUSE BASES



Mersen offers an innovative range of miniature fuse clips designed to accommodate 5x20 mm and 6.3x32 mm fuses, meeting the demands of the most advanced electronic applications.

These clips, perfectly suited for PCB mounting or screw mounting, stand out for their compact design and reliability. They ensure a secure hold on fuses, providing durable and safe electrical connections even in environments subject to vibrations or thermal variations.

Ideal for industrial or electronic equipment, these clips offer a simple and efficient solution to integrate miniature fuses into your circuits. Choose Mersen's quality for your electronic projects.

TECHNICAL DATA OVERVIEW

Voltage	250VAC
Ampere Range (A)	6.3 ... 30 A
Mounting	circuit board or screw mounting
Product Size	For minitaure fuses size 5x20
Number of poles	1-Pole

FEATURES & BENEFITS

- Protection class: IPO0
- Operating temperature : -30°C to +85°C
- Compliance: lead-free and ROHS

APPLICATIONS

- Circuit board
- Screw mounting



IEC Miniature Fuse Clips

PRODUCT RANGE

IEC Miniature Fuse Bases and Clips MR 5CISP /50

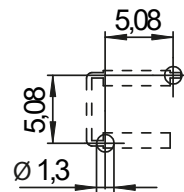
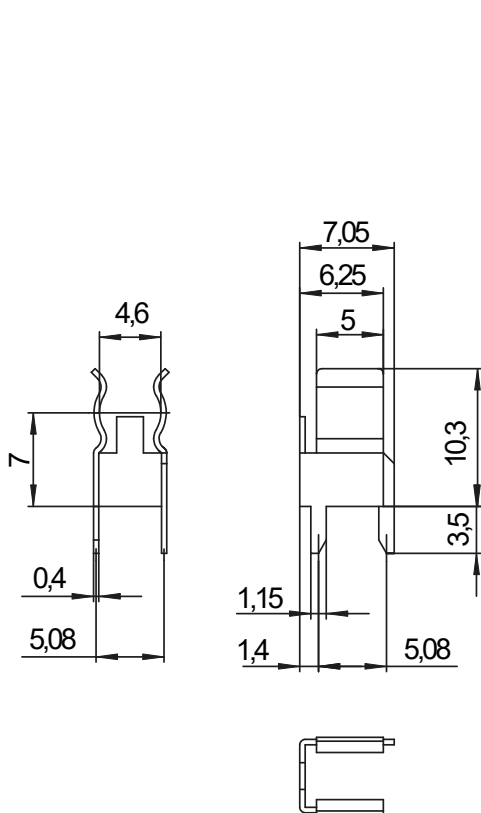
Catalog number	Item number	Designation	Size	Rated current I_n	Power acceptance (W-23°C)	End stops	Mounting	Material	Package
MIMR5CISP	W202074	MR 5 CI.SP	5x20	6.3 A	1.6 W	Yes	Printed circuit board	Brass, Tin plated	50

IEC Miniature Fuse Bases and Clips MR 6 VI /50

Catalog number	Item number	Designation	Size	Rated current I_n	Power acceptance (W-23°C)	End stops	Mounting	Material	Package
MIMR6VI	K091480	MR 6 VI	6x32	30 A	3.5 W	No	Screw mouting 6,3mm slip-on connector tags	Silver plated copper + stainless steel spring	50

DIMENSIONS

M209012 - MR 5 CI SP



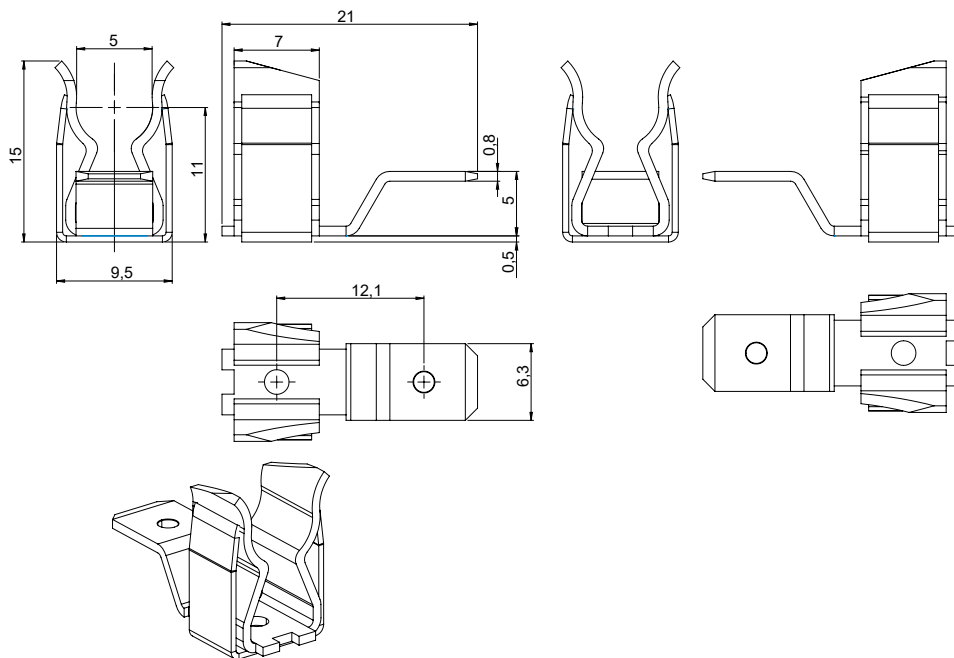
PCB LAYOUT - COMPONENT VIEW

Dimensions in mm

IEC Miniature Fuse Clips

DIMENSIONS

045826_MR 6 VI



Dimensions in mm