

ProGrid Size 2

400A, 690VAC

250A, 800VAC

IEC FUSE SWITCH DISCONNECTORS

SMART NH FUSE SWITCH DISCONNECTOR



ProGrid NH vertical fuse switch disconnectors are designed for installation to 185mm busbars systems in triple pole arrangements. The installation depth of ProGrid is 150mm.

Thanks to its modular system, the ProGrid solution allows the installation of individual components, it offers the user the possibility of a quick and easy installation as well as a high degree of protection during installation and maintenance with its two-stage opening: in parallel then in rotation, patented by MERSEN.

2 alternative designs are available for a user-friendly installation according to the needs:

- The standard ProGrid fuse switch disconnecter to protect the substation from overcurrent and interrupt the electrical circuit's flow
- The smart ProGrid fuse switch disconnecter to monitor energy flow in addition to its standard functions; the ProGrid solution can be retrofitted from Standard ProGrid to Smart ProGrid also on customer side.

TECHNICAL DATA OVERVIEW

Voltage Range AC	400 ... 800 VAC
Ampere Range (A)	250 ... 400 A
Size per Standard	2
SCCR	Ue = AC 400 V; Ie = 400 A 120kA Ue = AC 500 V; Ie = 400 A 120kA Ue = AC 690 V; Ie = 400 A 120kA Ue = AC 800 V; Ie = 250 A 10kA
Mounting	bus bar system 185 mm
Switchability	1 x triple pole, 3 x single pole
Number of poles	3

FEATURES & BENEFITS

- Installation on to 185 mm bus bar system
Standard design with M 12 screws: M = 35 ±3Nm
Direct installation without drilling with hooked clamps possible
- Symmetrical switch - top/bottom cable terminal connection
- Touch protection IP20C during switching mechanism and when close
- Varieties of cable termination: bolt, insert nut, V-terminal
- Current measurement: 330mV, 1A or 5A CTs
- Safe on load connection/disconnection in accordance with IEC 60947-3
- Current sensors and voltage intakes are designed to be retrofittable on a Stand-alone ProGrid Fuse Switch Disconnecter

APPLICATIONS

- Feeder pillars
- Transformer substations
- Switch boards for industrial applications
- Residential and industrial distribution units
- Cable distribution cabinets

STANDARDS

- IEC/EN 60 947-3
For NH-fuse links size 2 in accordance with IEC/EN 60 269-2, VDE 0636-2



ProGrid Size 2

400A, 690VAC

250A, 800VAC

FLEXIBLE PROGRID OFFERING

ProGrid Fuse Switch Disconnecter is developed together with 2 versions of Smart modules:



Top mounting module for easy installation in new panels and substations



Bottom mounting module for easy retrofitting of panels thanks to identical footprint as stand-alone Fuse switch disconnecter

ProGrid Size 2

400A, 690VAC

250A, 800VAC

PRODUCT RANGE



PG2-1P-B

ProGrid 400 A size 2 185 mm 3 x single pole switching

Catalog number	Item number	Cable termination components	Design	Package	Weight
PG2-1P-B	J1212821	3 M12 bolts	-	1 piece	4.5 kg
PG2-1P-N	K1212822	3 M12 flat terminal	-	1 piece	4.4 kg
PG2-1P-V	T1212830	3 V-terminals without V-clamps	-	1 piece	4.3 kg
PG2-1P-VA	W1212832	3 V-terminals with 3 V-clamps - Aluminium	V-clamps - Aluminium (ref: 22SZVK4)	1 piece	4.5 kg
PG2-1P-VD	B1212837	3 V-terminals with 3 double V-clamps	double V-clamps - Aluminium (ref: 22SZVK42)	1 piece	4.9 kg
PG2-1P-VE-EO	P1212619	3 V-terminals with 3 V-clamps - Steel	V-clamps - Steel (ref: PG-VKST1-3 - e.on compliant) Individual insulated V-clamps caps included	1 piece	4.8 kg
PG2-1P-L	Z1212835	M12 bus bar terminal	lateral bus bar terminals bus bar coupler switch cable terminal connection to right or left side possible	1 piece	4.4 kg

ProGrid 400 A size 2 185 mm 3 x single pole switching with BOTTOM Smart Module



PG2-1P-B-SB33

Catalog number	Item number	Cable termination components	Design	Package	Weight
PG2-1P-B-SB33	E1212817	3 M12 bolts	Current transformer 400A/333mV, class 1	1 piece	5.1 kg
PG2-1P-V-SB33	N1212825	3 V-terminals without V-clamps	Current transformer 400A/333mV, class 1	1 piece	5.1 kg
PG2-1P-VE-SB33-EO	Y1212627	3 V-terminals with 3 V-clamps - Steel	V-clamps - Steel (ref: PG-VKST1-3 - e.on compliant) Individual insulated V-clamps caps included Current transformer 400A/333mV, class 1	1 piece	5.4 kg

ProGrid 400 A size 2 185 mm 3 x single pole switching with TOP Smart Module



PG2-1P-B-ST33

Catalog number	Item number	Cable termination components	Design	Package	Weight
PG2-1P-B-ST33	W1212648	3 M12 bolts	Current transformer 400A/333mV, class 1	1 piece	5.2 kg
PG2-1P-V-ST33	L1212823	3 V-terminals without V-clamps	Current transformer 400A/333mV, class 1	1 piece	5 kg
PG2-1P-VE-ST33-EO	R1212621	3 V-terminals with 3 V-clamps - Steel	V-clamps - Steel (ref: PG-VKST1-3 - e.on compliant) Individual insulated V-clamps caps included Current transformer 400A/333mV, class 1	1 piece	5.5 kg

ProGrid 400 A size 2 185 mm 3 x single pole switching with only Current Transformers

Catalog number	Item number	Cable termination components	Design	Package	Weight
PG2-1P-B-CT1A	H1212820	3 M12 bolts	Current transformer 400A/1A, class 1, 5VA	1 piece	5 kg
PG2-1P-B-CT33	G1212819	3 M12 bolts	Current transformer 400A/333mV, class 1	1 piece	5 kg
PG2-1P-V-CT1A	S1212829	3 V-terminals without V-clamps	Current transformer 400A/1A, class 1, 5VA	1 piece	4.8 kg
PG2-1P-V-CT33	R1212828	3 V-terminals without V-clamps	Current transformer 400A/333mV, class 1	1 piece	4.8 kg

ProGrid Size 2

400A, 690VAC

250A, 800VAC

PRODUCT RANGE



PG2-3P-B

ProGrid 400 A size 2 185 mm 1 x triple pole switching

Catalog number	Item number	Cable termination components	Design	Package	Weight
PG2-3P-B	V1212854	3 M12 bolts	-	1 piece	4.5 kg
PG2-3P-N	W1212855	3 M12 flat terminal	-	1 piece	4.4 kg
PG2-3P-V	E1212863	3 V-terminals without V-clamps	-	1 piece	4.3 kg
PG2-3P-VA	P1212872	3 V-terminals with 3 V-clamps - Aluminium	V-clamps - Aluminium (ref: 22SZVK4)	1 piece	4.6 kg
PG2-3P-VD	R1212874	3 V-terminals with 3 double V-clamps	double V-clamps - Aluminium (ref: 22SZVK42)	1 piece	5 kg
PG2-3P-L	Q1212873	M12 bus bar terminal	lateral bus bar terminals bus bar coupler switch cable terminal connection to right or left side possible	1 piece	4.5 kg

ProGrid 400 A size 2 185 mm 1 x triple pole switching with BOTTOM Smart Module

Catalog number	Item number	Cable termination components	Design	Package	Weight
PG2-3P-B-SB33	N1212848	3 M12 bolts	Current transformer 400A/333mV, class 1	1 piece	5.1 kg
PG2-3P-V-SB33	Z1212858	3 V-terminals without V-clamps	Current transformer 400A/333mV, class 1	1 piece	5 kg

ProGrid 400 A size 2 185 mm 1 x triple pole switching with TOP Smart Module

Catalog number	Item number	Cable termination components	Design	Package	Weight
PG2-3P-B-ST33	L1212846	3 M12 bolts	Current transformer 400A/333mV, class 1	1 piece	5.2 kg
PG2-3P-V-ST33	X1212856	3 V-terminals without V-clamps	Current transformer 400A/333mV, class 1	1 piece	5 kg

ProGrid 400 A size 2 185 mm 1 x triple pole switching with only Current Transformers

Catalog number	Item number	Cable termination components	Design	Package	Weight
PG2-3P-B-CT33	R1212851	3 M12 bolts	Current transformer 400A/333mV, class 1	1 piece	5 kg
PG2-3P-V-CT33	C1212861	3 V-terminals without V-clamps	Current transformer 400A/333mV, class 1	1 piece	4.8 kg

ProGrid Size 2

400A, 690VAC

250A, 800VAC

TECHNICAL DATA IN ACCORDANCE WITH EN / IEC 60947

	ProGrid 400 A size 2 185 mm 3 x single pole switching	ProGrid 400 A size 2 185 mm 1 x triple pole switching
Number of poles/phases	3	3
Size	2	2
Rated operational current I_e ¹	400 A	400 A
Conventional free air thermal current with NH-fuse links I_{th}	400 A	400 A
Max. power dissipation of fuse links P_n	34 W	34 W
Conventional free air thermal current with solid links I_{th}	630 A	630 A
Max. power dissipation of solid links P_n	9 W	9 W
Rated operational voltage U_e	800 V	800 V
Utilization category to IEC/EN 60947-3 $U_e = AC 400 V; I_e = 400 A$ $U_e = AC 500 V; I_e = 400 A$ $U_e = AC 690 V; I_e = 400 A$ $U_e = AC 800 V; I_e = 250 A$		AC 23 B AC 22 B AC 21 B AC 22 B
Rated insulation voltage U_i	1000 V	1000 V
Rated impulse withstand voltage U_{imp}	20 kV	20 kV
Rated frequency	50 ... 60 Hz	50 ... 60 Hz
Degree of protection	IP 20C	IP 20C
Degree of pollution	3	3
Rated duty	uninterrupted duty	uninterrupted duty
Rated short circuit making capacity with solid links I_{cm}	16 kA _{peak}	16 kA _{peak}
Rated short-time withstand current I_{cw}	8.9 kA / 1 s	8.9 kA / 1 s
Power dissipation by I_{th} 550A without solid links	105 W	105 W
Cable terminal connection		
Standard cable terminal	M12	M12
for cable lugs Cu max.	300 mm ²	300 mm ²
for cable lugs Al max.	300 mm ²	300 mm ²
for copper bars with max. dimensions	40 x 10 mm	40 x 10 mm
V-shaped lugs for V-terminal clamps	35 - 240 mm ²	35 - 240 mm ²
Bus bar terminal connection		
Standard bus bar terminal	M12	M12
Hooked clamp for bus bar with thickness	5 ... 10 mm	5 ... 10 mm
Hooked clamp mounting possibility	Yes	Yes
Bus bar system	185 mm	185 mm
Installation mode	bus bar installation	bus bar installation
¹ Please note the load factor according to IEC/EN 61439 and the normal temperature of -25°C to 35°C. Above 35°C up to 70°C the operating current must be reduced (max. operating temperature for measuring module is 70°C).		

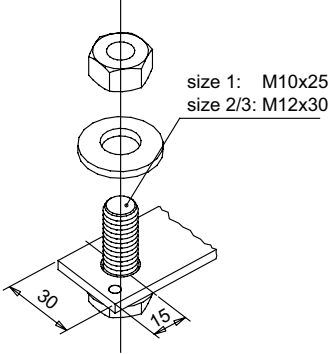
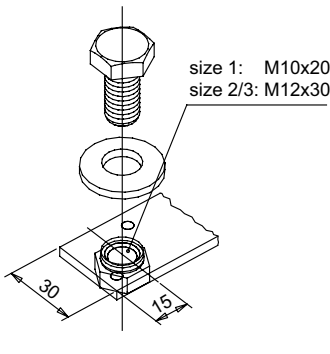
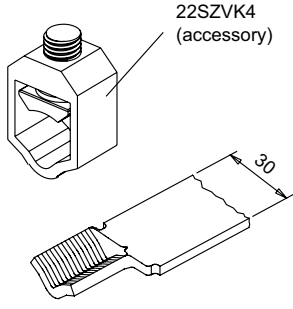
ProGrid Size 2

400A, 690VAC

250A, 800VAC

DIMENSIONS

Cable termination ProGrid 250A, 400A

reference	B	N	V	
type of terminal	bolt	flat terminal	V-terminal	
accessory	cable lug max. width 45 mm	cable lug max. width 45 mm	V-clamp (accessory) 22SZVK4 22SZVK41	
cross section [mm ²]	max. 300	max. 300	50 - 240 sectoral solid 50 - 185 sectoral stranded 35 - 70 round stranded 35 - 50 round solid	95 - 300 sectoral solid 70 - 240 sectoral stranded 50 - 185 round stranded 70 - 240 round solid
M [Nm]	35 ±3	35 ±3	25 ±2	25 ±2
				

Dimensions in mm

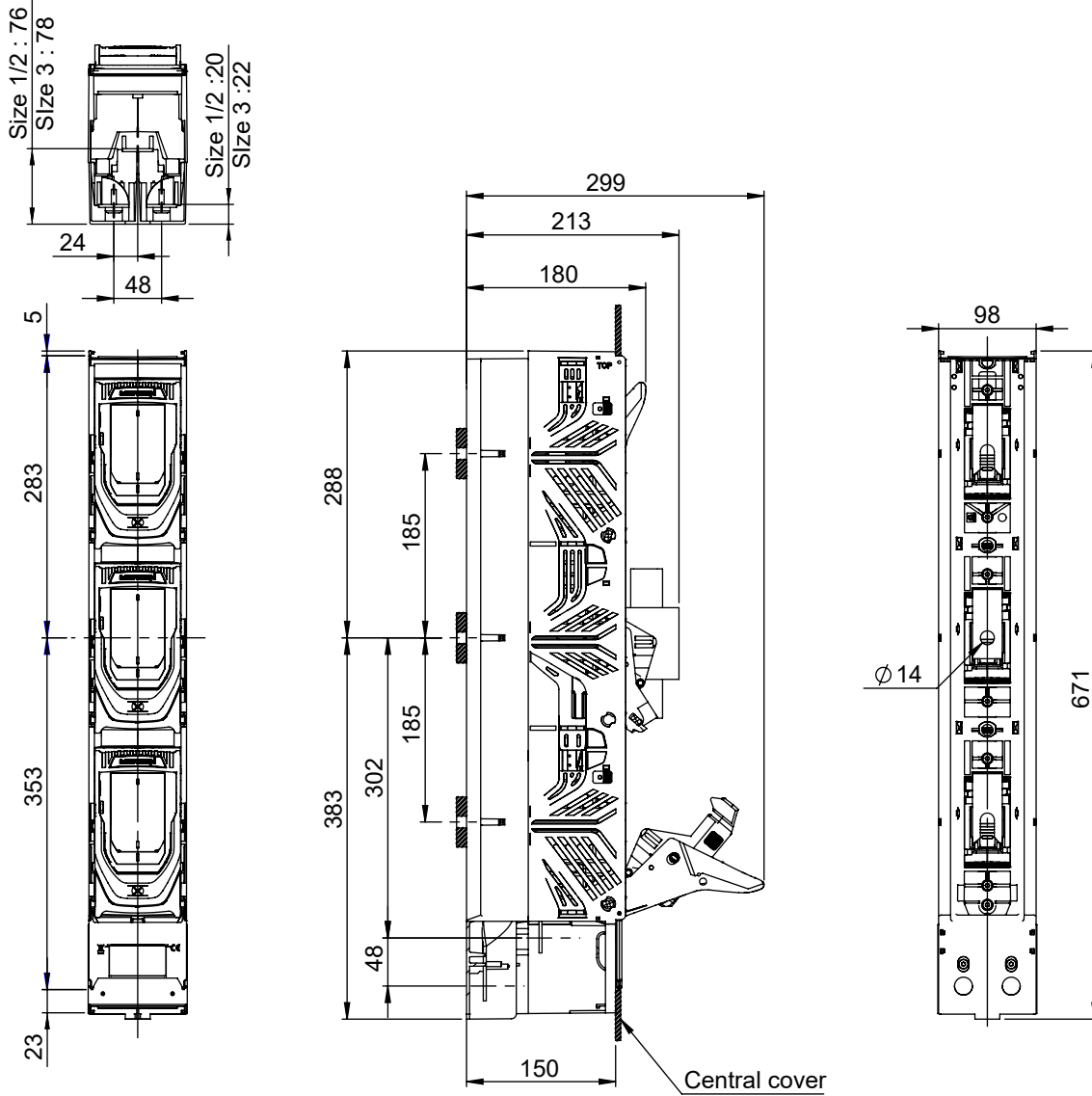
ProGrid Size 2

400A, 690VAC

250A, 800VAC

DIMENSIONS

ProGrid 400 A size 2 185 mm 3 x single pole switching - 3 M12 bolts



Dimensions in mm

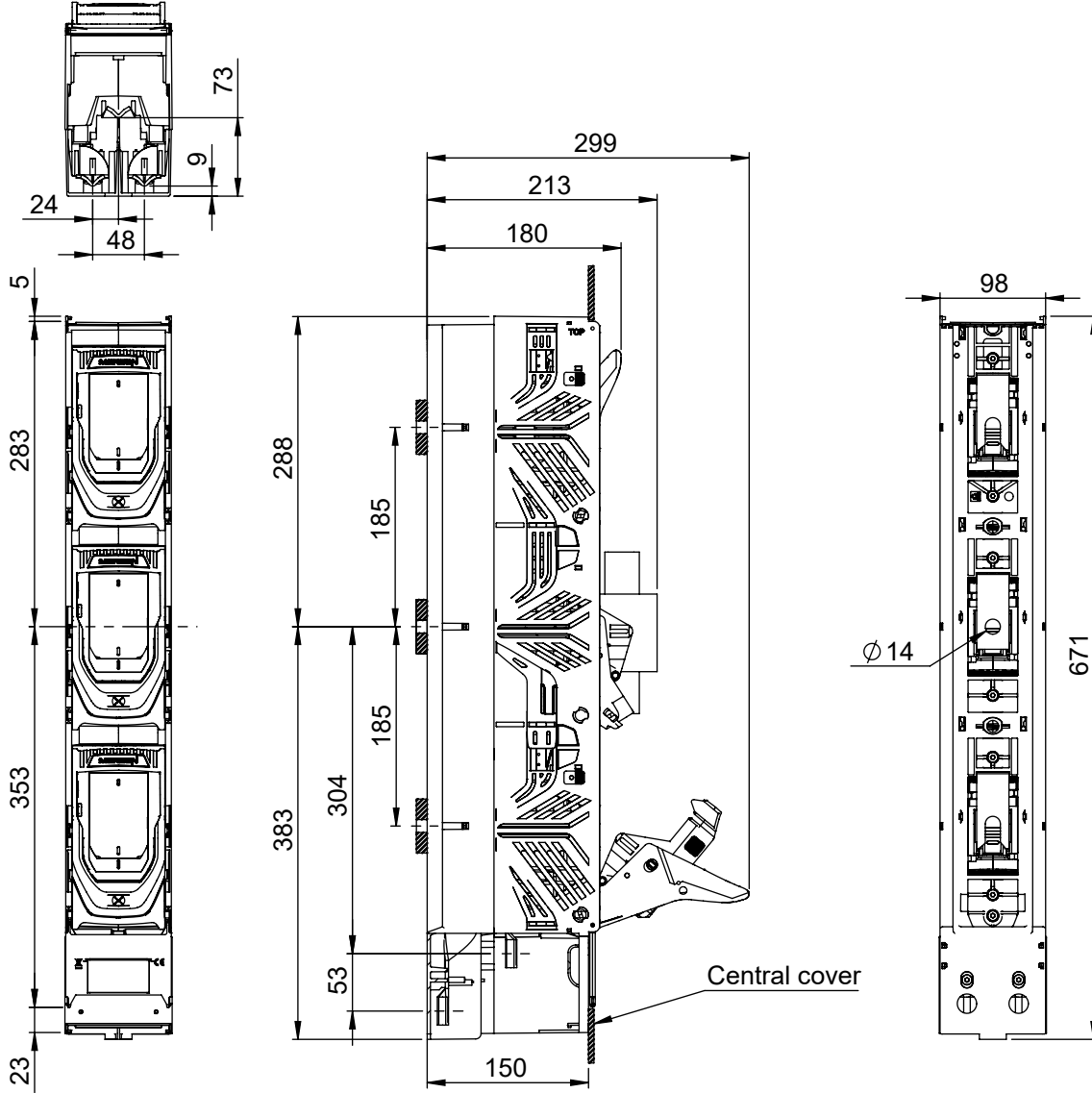
ProGrid Size 2

400A, 690VAC

250A, 800VAC

DIMENSIONS

ProGrid 400 A size 2 185 mm 3 x single pole switching - 3V-terminals without V-clamps



Dimensions in mm

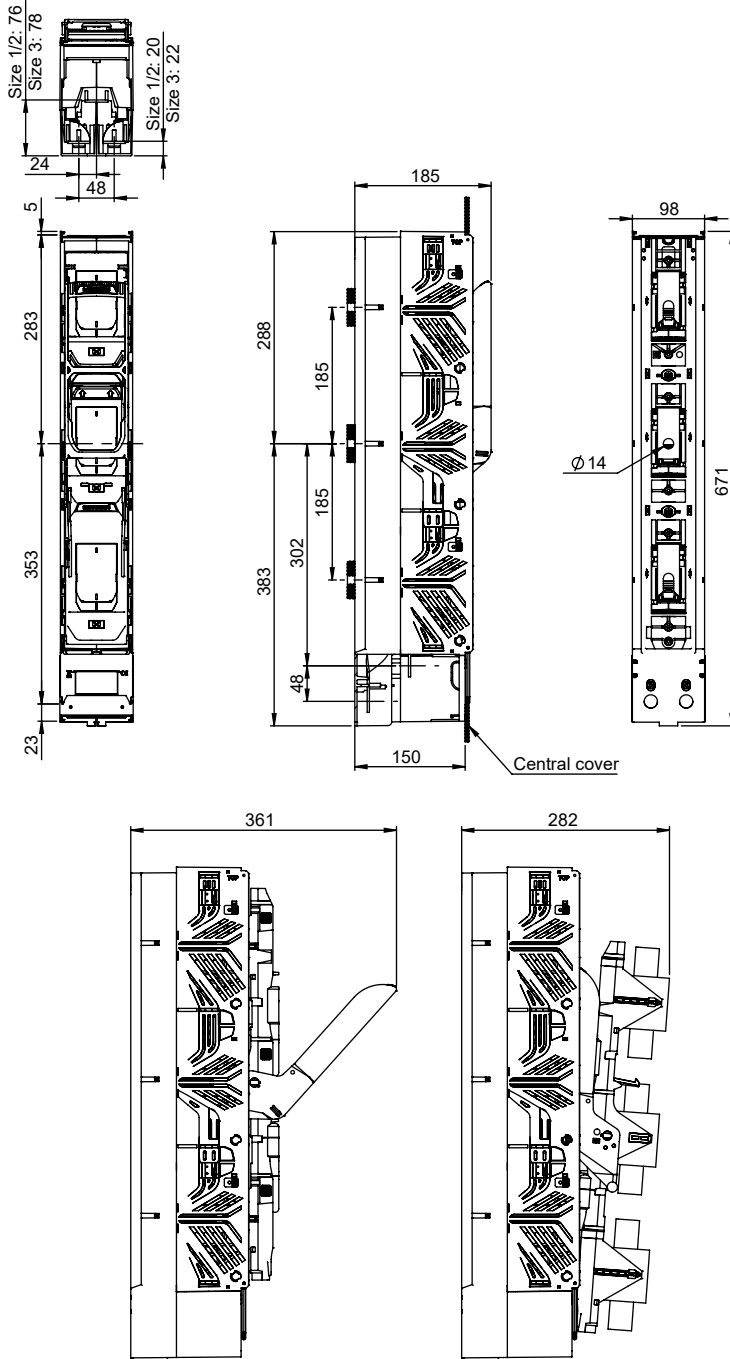
ProGrid Size 2

400A, 690VAC

250A, 800VAC

DIMENSIONS

ProGrid 400 A size 2 185 mm 1 x triple pole switching - 3 M12 bolts



Dimensions in mm

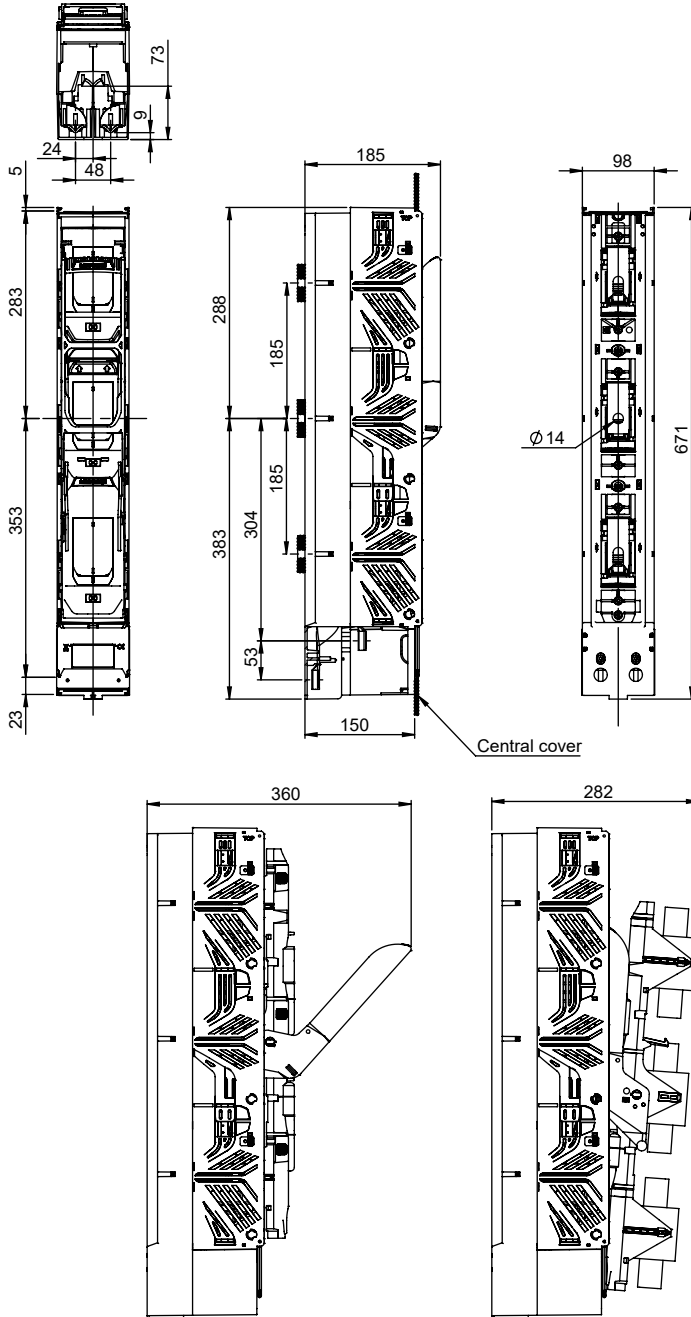
ProGrid Size 2

400A, 690VAC

250A, 800VAC

DIMENSIONS

ProGrid 400 A size 2 185 mm 1 x triple pole switching - 3V-terminals without V-clamps



Dimensions in mm

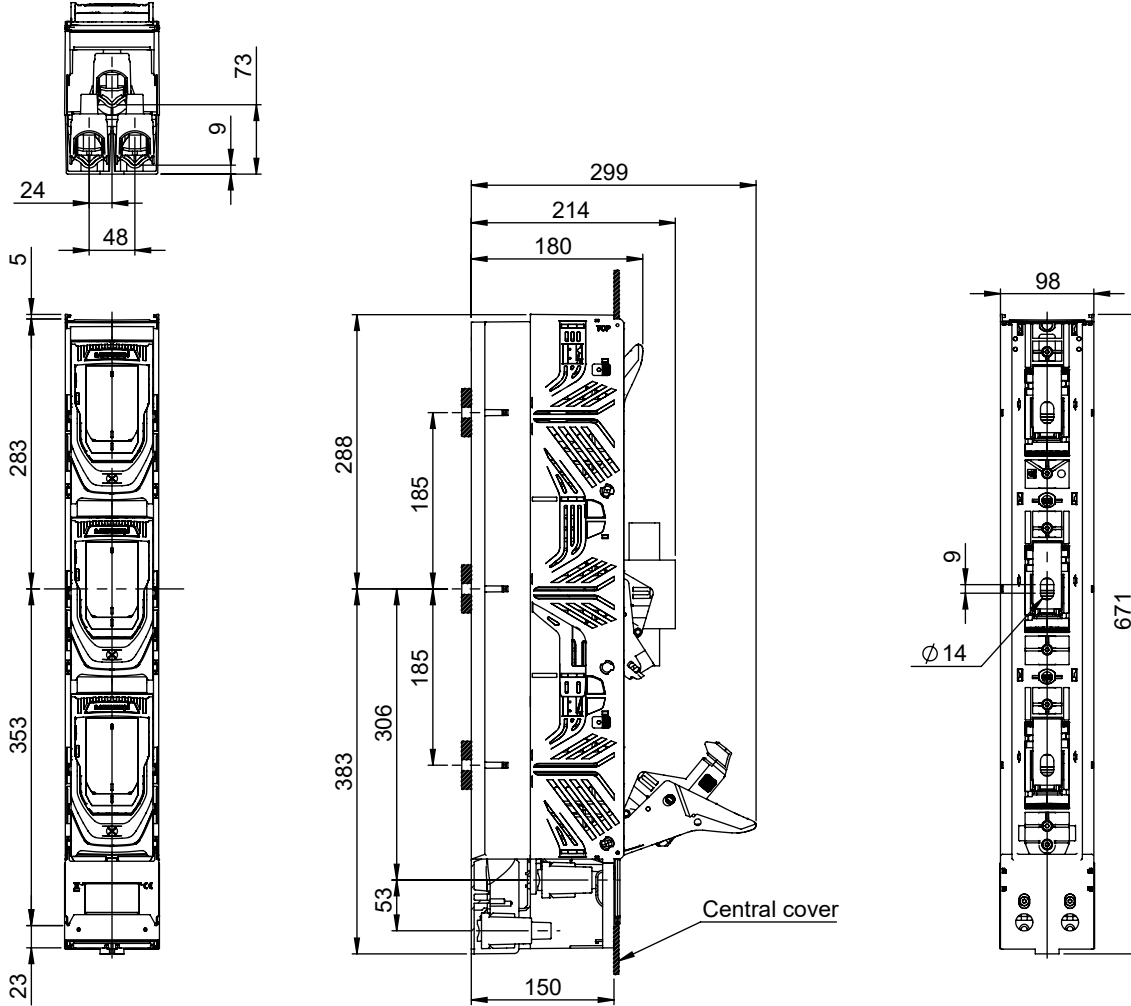
ProGrid Size 2

400A, 690VAC

250A, 800VAC

DIMENSIONS

ProGrid 400 A size 2 185 mm 3 x single pole switching - Steel-frame clamp Eon type



Dimensions in mm

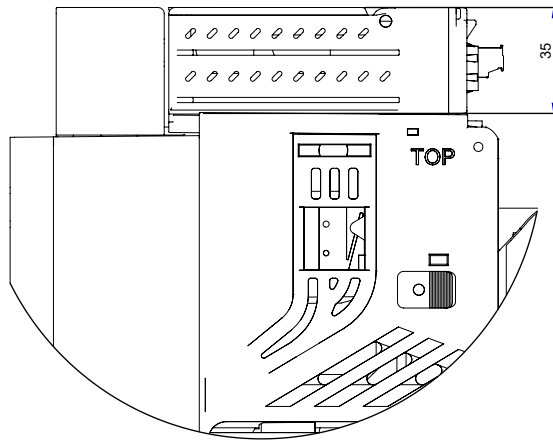
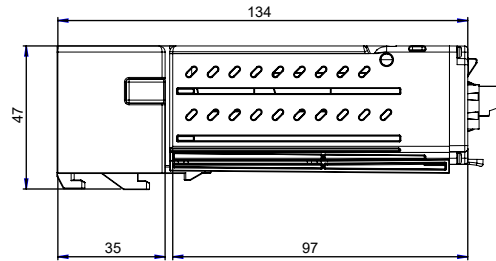
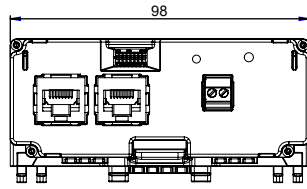
ProGrid Size 2

400A, 690VAC

250A, 800VAC

DIMENSIONS

ProGrid 400 A size 2 185 mm 3 x single pole switching with TOP Smart Module - 3 M12 bolts



Dimensions in mm

ACCESSORIES



MZAW

Covers/level & system adjustment covers

Catalog number	Item number	Design	Package	Weight
MZAW	D218687	support angle for support of cover plate 1 set = 4 pieces	1 set	27 g



1.002.648

Installation devices/bus bar installation

Catalog number	Item number	Design	Package	Weight
1.002.648	T1023448	M12 insert nut, size 2 and 3 1 set = 30 pieces	1 set	0.28 kg



1.000.852

Indication facilities

Catalog number	Item number	Design	Package	Weight
1.000.852	Q1002285	indicator for switch door position micro switch, 1 change-over contact 5 A, 250 V	1 piece	90 g



1.005.090

Current transformers

Catalog number	Item number	Application	Design	Package	Weight
1.005.087	Y1200184	Progrid Size 1/2/3, Multivert i-Xtensio Size 2/3	Set of 3 Current transformers 250/5A, 5VA, class 1	1 set	0.4 kg
1.005.088	Z1200185	Progrid Size 1/2/3, Multivert i-Xtensio Size 2/3	Set of 3 Current transformers 400/5A, 5VA, class 1	1 set	0.4 kg
1.005.089	A1200186	Progrid Size 1/2/3, Multivert i-Xtensio Size 2/3	Set of 3 Current transformers 600/5A, 5VA, class 1	1 set	0.4 kg
1.005.090	B1200187	Progrid Size 1/2/3, Multivert i-Xtensio Size 2/3	Set of 3 Current transformers 400/1A, 5VA, class 1	1 set	0.4 kg
1.005.091	C1200188	Progrid Size 1/2/3, Multivert i-Xtensio Size 2/3	Set of 3 Current transformers 600/1A, 5VA, class 1	1 set	0.4 kg
1.005.095	D1200189	Progrid Size 1/2/3, Multivert i-Xtensio Size 2/3	Set of 3 Current transformers 300/5A, 2,5VA, class 0,5s	1 set	0.4 kg
1.005.096	E1200190	Progrid Size 1/2/3, Multivert i-Xtensio Size 2/3	Set of 3 Current transformers 400/5A, 2,5VA, class 0,5s	1 set	0.4 kg
1.005.097	F1200191	Progrid Size 1/2/3, Multivert i-Xtensio Size 2/3	Set of 3 Current transformers 600/5A, 5VA, class 0,5s	1 set	0.4 kg

ProGrid Size 2

400A, 690VAC

250A, 800VAC

ACCESSORIES



1.000.099



1.002.255



1.002.909



1.002.910



1.003.377



22SZVK42

Varieties of cable termination

Catalog number	Item number	Design	Package	Weight
1.000.099	E1023436	insulation cap for V-terminal clamp size 1,2,3 for Aluminium V-clamps	1 piece	0.1 g
1.002.255	B1024582	supplementary set for multiple termination, bottom terminal 2 cable lugs Cu/Al: up to max. 300 mm ² round stranded, sectoral stranded 3 cable lugs Cu: up to max. 150 mm ² round stranded, sectoral stranded M = 32-38 Nm	1 set	1.68 kg
1.002.909	K1024613	V-terminal clamp size 1,2,3, 10-300 mm ² single solid, 10-300 mm ² single stranded, 10-300 mm ² round stranded, 10-300 mm ² round solid, Opening width: 26.5 mm M = 23 -27 Nm 1 set = 3 pieces	1 set	0.24 kg
1.002.910	L1024614	V-terminal clamp size 1,2,3, 95-300 mm ² single solid, 70-240 mm ² single stranded, 50-185 mm ² round stranded, 70-240 mm ² round solid, Opening width: 26.5 mm M = 23 -27 Nm 1 set = 3 pieces	1 set	0.26 kg
1.003.377	Y1024579	supplementary set for multiple termination, top terminal 2 cable lugs Cu/Al: up to max. 300 mm ² round stranded, sectoral stranded, 3 cable lugs Cu: up to max. 150 mm ² round stranded, sectoral stranded, M = 32-38 Nm	1 set	1.74 kg
22SZVK42	Q1024618	V-terminal clamp size 1,2,3 for 2 conductors 50-240 mm ² single solid, 50-185 mm ² single stranded, 50-185 mm ² round stranded, 70-240 mm ² round solid M = 23-27 Nm	1 piece	6.8 g