

PRODUCT INFORMATION PACKET

Model No: 449TVFS6542
Catalog No: Y902
250,1800,TEFC,449T(BAR),3/60/2300/4000
Medium And High Voltage NEMA



Regal and Marathon are trademarks of Regal Beloit Corporation or one of its affiliated companies.
©2018 Regal Beloit Corporation, All Rights Reserved. MC017097E

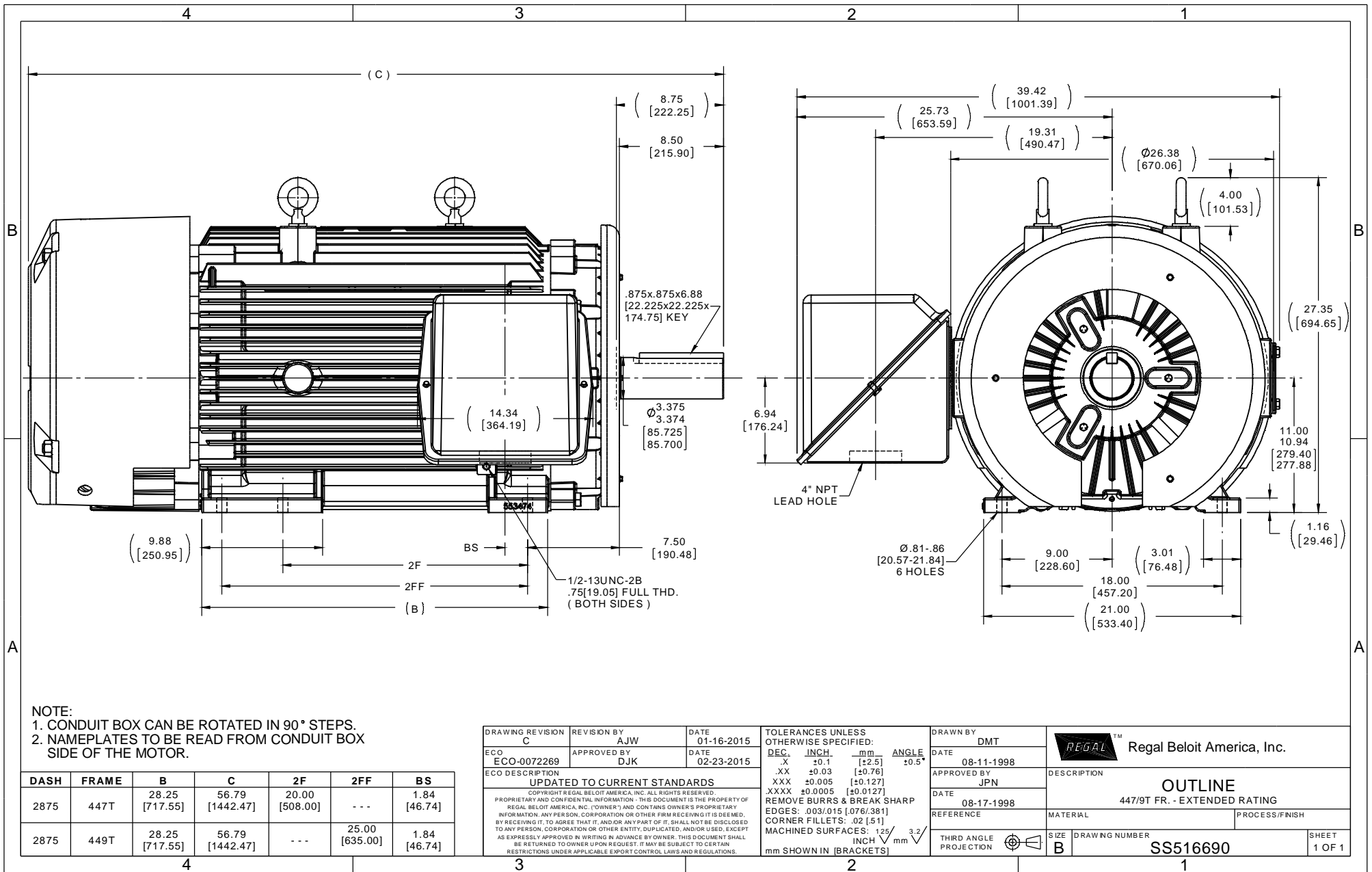


Nameplate Specifications

Output HP	250 Hp	Output KW	187 kW
Frequency	60 Hz	Voltage	2300/4000 V
Current	56/32 A	Speed	1788 rpm
Service Factor	1.15	Phase	3
Efficiency	95.4 %	Duty	CONTINUOUS
Insulation Class	H	Design Code	B
KVA Code	G	Frame	447/449T
Enclosure	TEFC	Overload Protector	NOT
Ambient Temperature	40 °C	Drive End Bearing Size	6319
Opp Drive End Bearing Size	6318	UL	No
CSA	N	CE	N
IP Code	54		

Technical Specifications

Electrical Type	SQ CAGE IND RUN	Starting Method	ACROSS THE LINE
Poles	4	Rotation	REV
Mounting	RIGID	Motor Orientation	HORIZONTAL
Drive End Bearing	BALL	Opp Drive End Bearing	BALL
Frame Material	CAST IRON	Shaft Type	T
Overall Length	56.79 in	Frame Length	28.75 in
Shaft Diameter	3.38 in	Shaft Extension	8.75 in
Assembly/Box Mounting	F1/F2 CAPABLE		
Outline Drawing	B-SS516690-2875	Connection Diagram	A-EE7304



NOTE:
 1. CONDUIT BOX CAN BE ROTATED IN 90° STEPS.
 2. NAMEPLATES TO BE READ FROM CONDUIT BOX SIDE OF THE MOTOR.

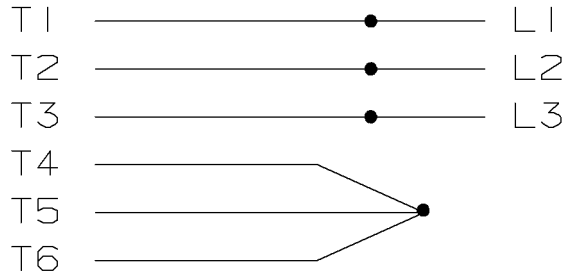
DASH	FRAME	B	C	2F	2FF	BS
2875	447T	28.25 [717.55]	56.79 [1442.47]	20.00 [508.00]	---	1.84 [46.74]
2875	449T	28.25 [717.55]	56.79 [1442.47]	---	25.00 [635.00]	1.84 [46.74]

DRAWING REVISION	REVISION BY	DATE	TOLERANCES UNLESS OTHERWISE SPECIFIED:
C	AJW	01-16-2015	DEC. INCH. mm ANGLE
ECO-0072269	DJK	02-23-2015	.X ±0.1 [±2.5] ±0.5°
ECO DESCRIPTION			.XX ±0.03 [±0.76]
UPDATED TO CURRENT STANDARDS			.XXX ±0.005 [±0.127]
COPYRIGHT REGAL BELOIT AMERICA, INC. ALL RIGHTS RESERVED.			XXXX ±0.0005 [±0.0127]
PROPRIETARY AND CONFIDENTIAL INFORMATION - THIS DOCUMENT IS THE PROPERTY OF REGAL BELOIT AMERICA, INC. (OWNER) AND CONTAINS OWNER'S PROPRIETARY INFORMATION. ANY PERSON, CORPORATION OR OTHER FIRM RECEIVING IT IS DEEMED, BY RECEIVING IT, TO AGREE THAT IT, AND/OR ANY PART OF IT, SHALL NOT BE DISCLOSED TO ANY PERSON, CORPORATION OR OTHER ENTITY, DUPLICATED, AND/OR USED, EXCEPT AS EXPRESSLY APPROVED IN WRITING IN ADVANCE BY OWNER. THIS DOCUMENT SHALL BE RETURNED TO OWNER UPON REQUEST. IT MAY BE SUBJECT TO CERTAIN RESTRICTIONS UNDER APPLICABLE EXPORT CONTROL LAWS AND REGULATIONS.			REMOVE BURRS & BREAK SHARP EDGES: .003/.015 [0.076/.381]
			CORNER FILLETS: .02 [51]
			MACHINED SURFACES: 125/INCH 3.2/mm SHOWN IN [BRACKETS]

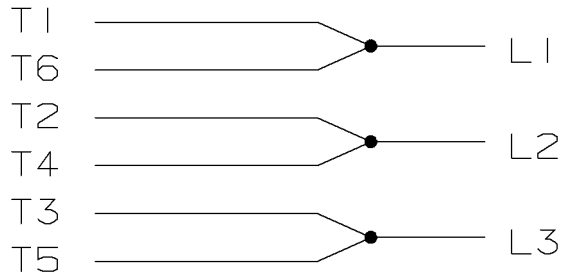
DRAWN BY	DATE	APPROVED BY	DATE
DMT	08-11-1998	JPN	08-17-1998

DESCRIPTION	MATERIAL	PROCESS/FINISH
OUTLINE 447/9T FR. - EXTENDED RATING		
THIRD ANGLE PROJECTION	SIZE B	DRAWING NUMBER SS516690
		SHEET 1 OF 1

HIGH VOLTAGE
"Y" CONNECTION

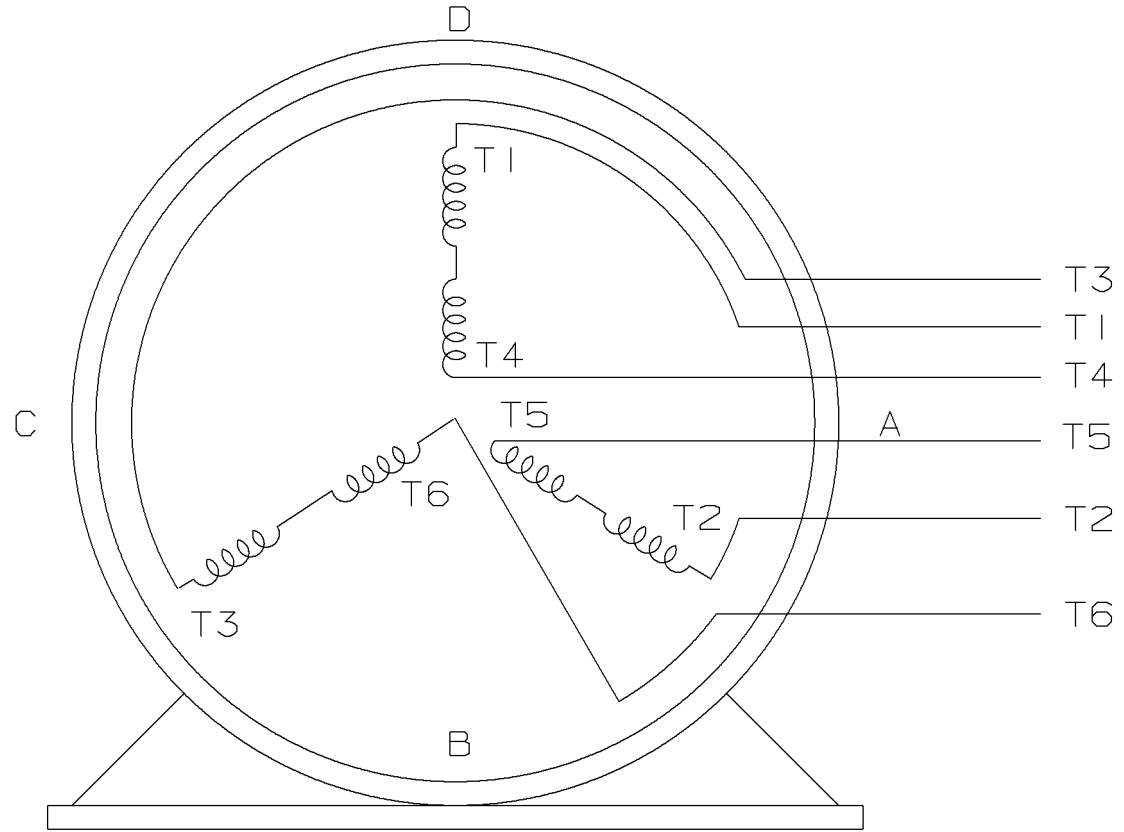


LOW VOLTAGE - DELTA



THREE PHASE - DUAL VOLTAGE

A- EE7304



VIEW OF TERMINAL END

T2DL
T2C
T4CC
T4AY
T4AZ
WP =T4J1

				✓ MAX. SURFACE ROUGHNESS UNLESS NOTED OTHERWISE	UNLESS OTHERWISE SPECIFIED DIMENSIONS ARE IN INCHES TOL. ON XX±.02 XXX±.005 XXXX±.0005 ANGLES± 7'30"		
				MATL SPEC		DRAWN BY LZ	01-04-1994
				FINISH		CHKD BY ML	01-18-1994
9	01-24-1994	REDRAWN ON CADD	LZ	REFERENCE DRW.	WAUSAU, WISCONSIN 54401	APPD BY GK	01-18-1994
REV	DATE	CHANGE	NAME	PART NAME CONNECTION DIAGRAM THREE PHASE, DUAL VOLTAGE			DRWG NO A- EE7304

SHOP BOOK

PURCHASED

DISTRIBUTION - WA - LB - WP - LM - BR

CADD FILE NO.

EE7304

Data Sheet

Date: 29-06-2017
 Customer: _____
 Attention: _____
 Submitted by: FAREEDA DUDEKULA



449TVFS6542

Submittal

Data @ 4000 V

Motor Load Data

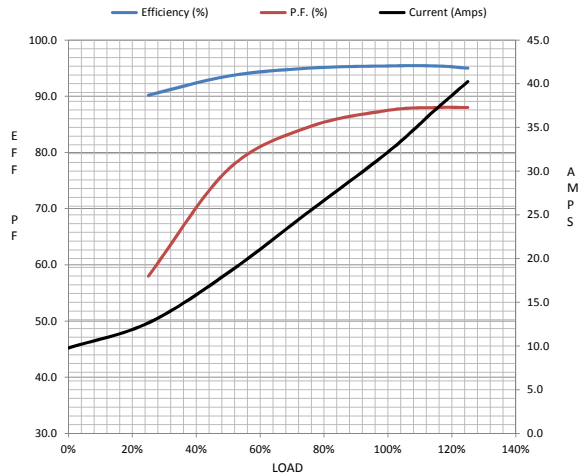
Load	0%	25%	50%	75%	100%	115%	125%	LR
Current (Amps)	9.8	12.7	18.4	25.3	32.2	37.1	40.3	207
Torque (ft-lb)	0.00	183	366	550	735	846	922	775
RPM	1800	1796	1794	1790	1788	1,786	1784	0
Efficiency (%)		90.2	93.6	95.0	95.4	95.4	95.0	
P.F. (%)	7.0	58.0	77.0	84.5	87.5	88.0	88.0	19.0

Motor Speed Data

	LR	Pull-Up	BD	Rated	Idle
Speed (RPM)	0	900	1725	1788	1800
Current (Amps)	207	173	106	32.2	9.8
Torque (ft-lb)	775	725	2,000	735	0.00

Information Block

HP	250.0			
Sync. RPM	1800			
Frame	449			
Enclosure	TEFC			
Construction	TFN			
Voltage	2300/4000 V			
Frequency	60 Hz			
Design	A			
LR Code letter	G			
Service Factor	1.15			
Temp Rise @ FL	75 ° C			
Duty	CONT			
Ambient	40 ° C			
Elevation	1,000 feet			
Rotor/Shaft wk ²	110 Lb-Ft ²			
Ref Wdg	V4494104 NONE			
Sound Pressure @ 1M	88 dBA			
VFD Rating	NONE			
Outline Dwg	B-SS516690-2875			
Conn. Diag	A-EE7304			
Additional Specifications:				
0				
365THFS8036				
EQUIV CKT (OHMS / PHASE)				
R1	R2	X1	X2	Xm
0.7820	0.5670	7.9890	11.0810	230.7220



Speed -Torque Curve

